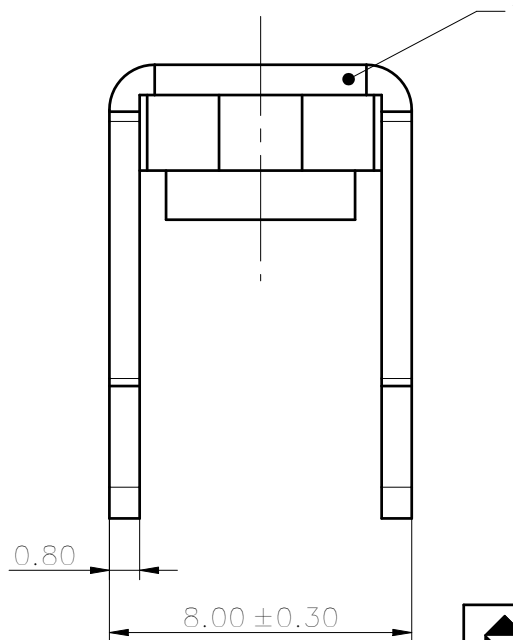
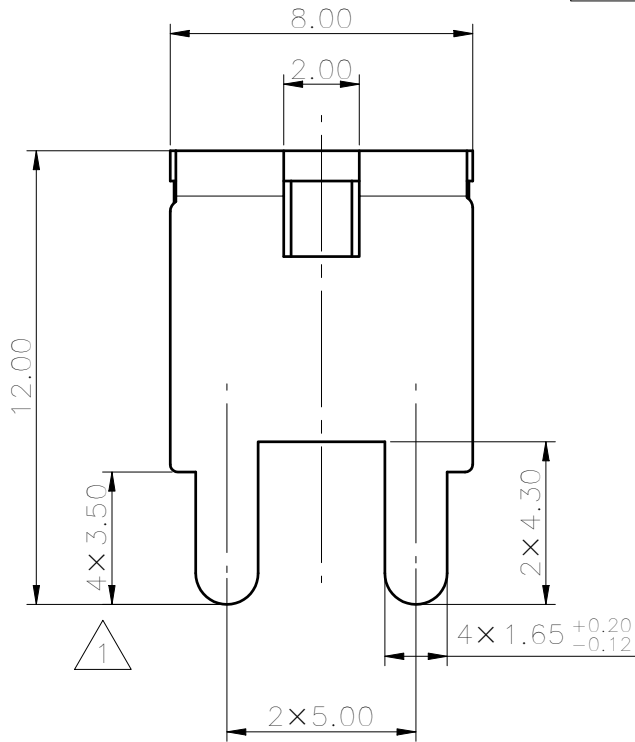
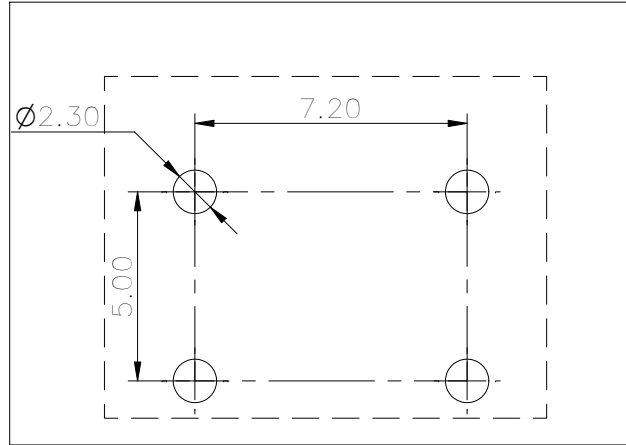
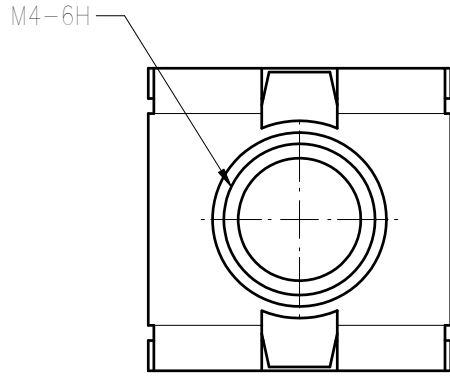
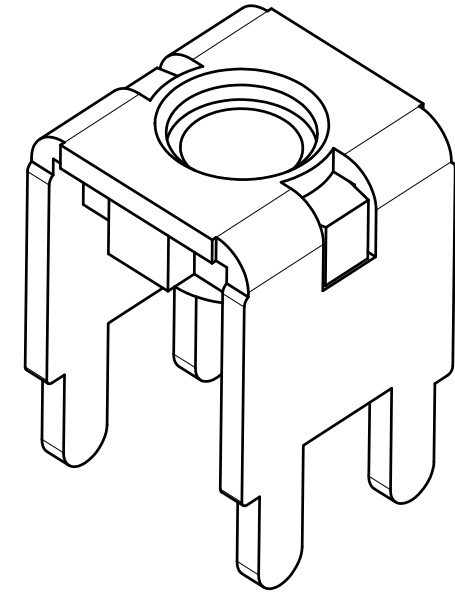


未注公差/General tolerances (mm)													0.1/10	
0 ~ 3	>3 ~ 6	>6 ~ 10	>10 ~ 18	>18 ~ 30	>30 ~ 50	>50 ~ 80	>80 ~ 120	>120 ~ 180	>180 ~ 250	>250 ~ 315	>315 ~ 400	>400 ~ 500		>500
±0.12	±0.18	±0.22	±0.26	±0.31	±0.37	±0.57	±0.80	±0.93	±1.05	±1.15	±1.60	±2.20	±2.50	±2'

PCB LAYOUT



比例5:1



Note: The A&Z(H) in the name means: A(H) and Z(H).

ITEM	NAME OF PART	MATERIAL	NOTES
1	Pin header	Copper alloy	Sn Plated
额定电流/Rated Current(A)		50A	
螺丝扭矩/Torque Tightening(N·m/Lb.in)		M4, 1.5/13.28	
符合 RoHS 环保要求/Conform to RoHS		Yes	

DEGSON		MATERIAL:		SURFACE/COLOR:	
APPD: 蓝贵凡 2023.11.06		MAT NO./REV: 10902000141-1 / 00		MAT STATUS: 批量	
CHKD: 曹利彬 2023.10.28		NAME: K145-00A&Z(H)			
DRFT: 姜民洁 2023.10.27		DRAWING NO. 200073933	TYPE CUSTOMER DRAWING	DRAWING STATUS 已发布	SCALE 5:1
REV	ECN	DESCRIPTION	DRFT	DATE	SHEET 1/1

REV	ECN	DESCRIPTION	DRFT	DATE
01		焊脚出脚加长	姜民洁	2023.10.27

Transfer or duplication of this document as well as the utilization or communication of its contents are prohibited unless authorized in writing by Degson. All rights reserved for patent, utility model or design registrations. 除专利权明确标注外, 否则禁止转让、复制、引用、发布等文件的传播。 未经书面授权, 擅自复制或传播文件, 侵害公司知识产权及专利权, 保留追究法律责任的权利。