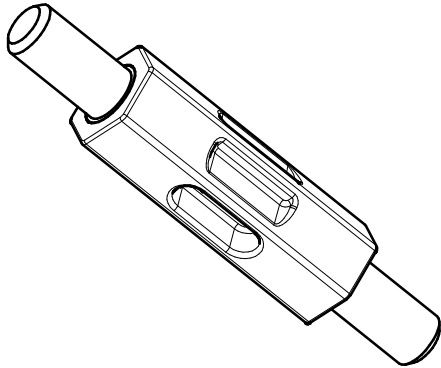
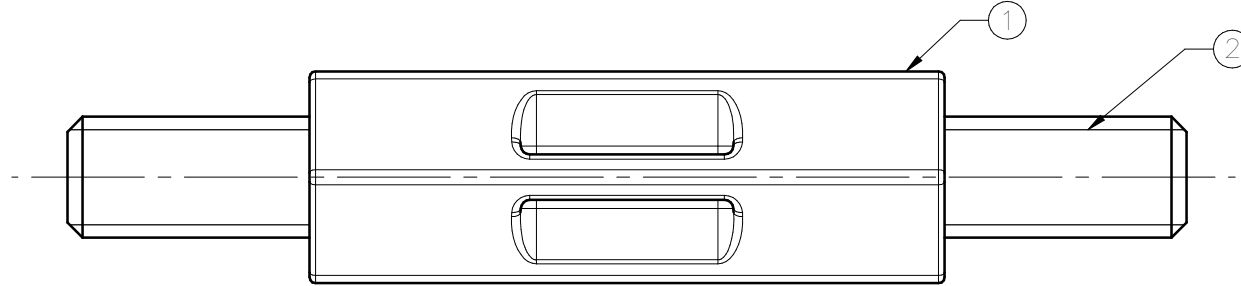
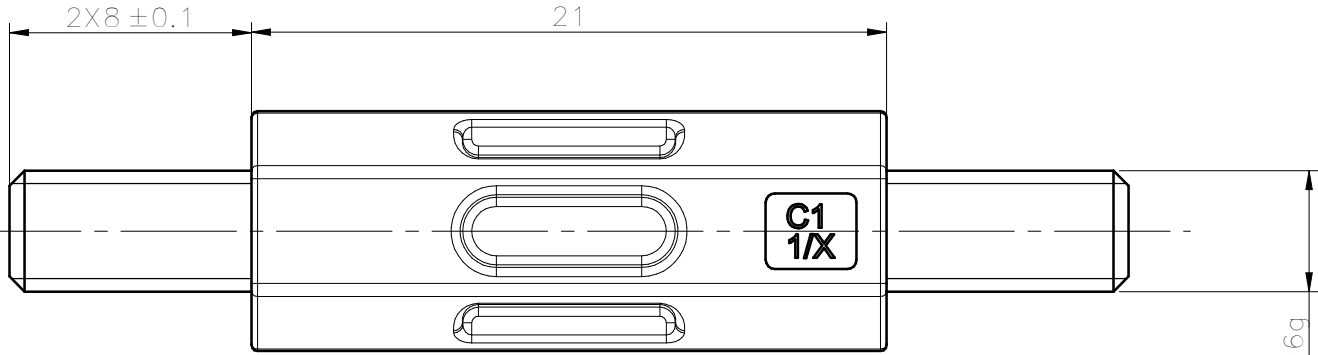
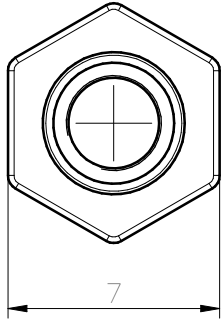


未注公差/General tolerances (mm)													0.1/10 ±2'
0 ~ 3	>3 ~ 6	>6 ~ 10	>10 ~ 18	>18 ~ 30	>30 ~ 50	>50 ~ 80	>80 ~ 120	>120 ~ 180	>180 ~ 250	>250 ~ 315	>315 ~ 400	>400 ~ 500	
±0.12	±0.18	±0.22	±0.26	±0.31	±0.37	±0.57	±0.80	±0.93	±1.05	±1.15	±1.60	±2.20	±2.50



Note: The A&Z(H) in the name means :A(H) and Z(H).

ITEM	NAME OF PART	MATERIAL	NOTES
2	Screw	Steel	Ni Plated
1	Housing	PA66+10%GF	UL94 V-0

螺丝扭矩/Torque Tightening(N · m/Lb.in)	M4, 0.8/7.09
使用温度范围/Operating temperature(° C)	-40~+65
符合 RoHS 环保要求/Conform to RoHS	Yes

DEGSON		MATERIAL: /	SURFACE/COLOR: /	
APPD: 核准人 核准日期		MAT NO./REV: 1090000252-1 / 01		NAME
CHKD: 审核人 审核日期		DG008-01P-13-00A&Z(H)		
DRFT: 设计人 设计日期		DRAWING NO. 200059164	TYPE CUSTOMER DRAWING	DRAWING STATUS 已发布
A4		SCALE 2:1	SHEET 1/1	

REV	ECN	DESCRIPTION	DRFT	DATE
00	/	/	/	/

Transfer or duplication of this document as well as the utilization or communication of its contents are prohibited unless authorized in advance. All rights reserved for patent, utility model or design registrations. 除专利、实用新型、外观设计、发明专利、软件著作权、集成电路布图设计专有权、商业秘密和与经营活动有关的知识产权外，其他知识产权均保留权利。