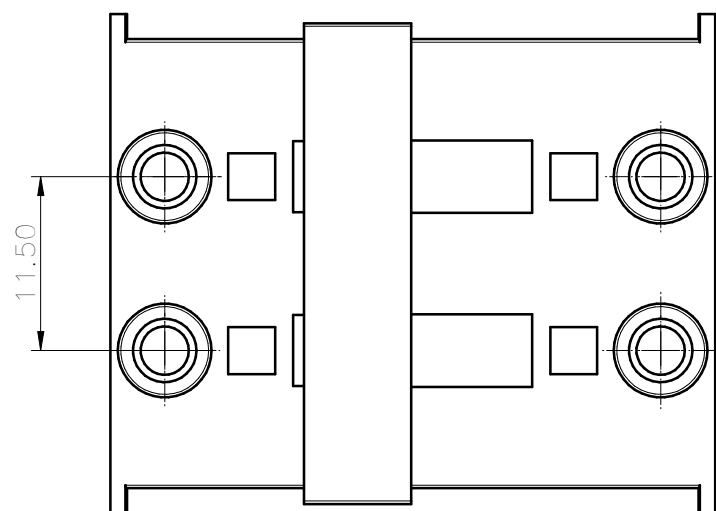
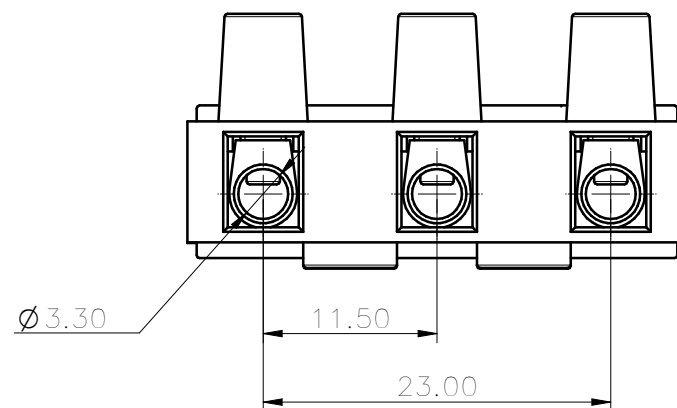
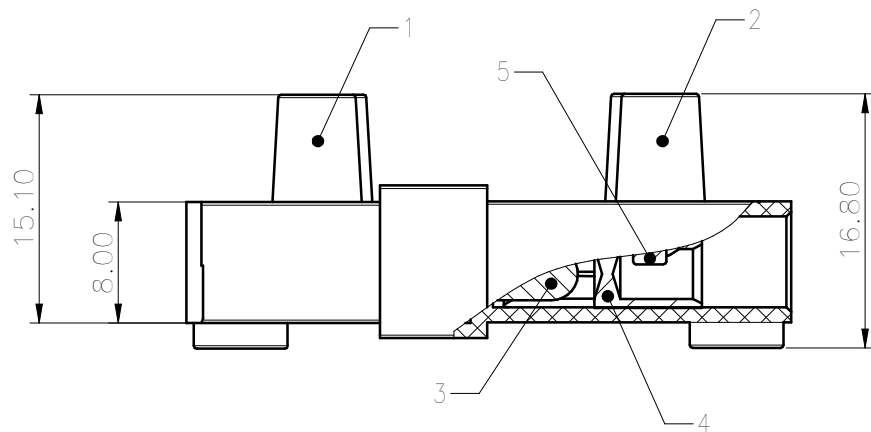
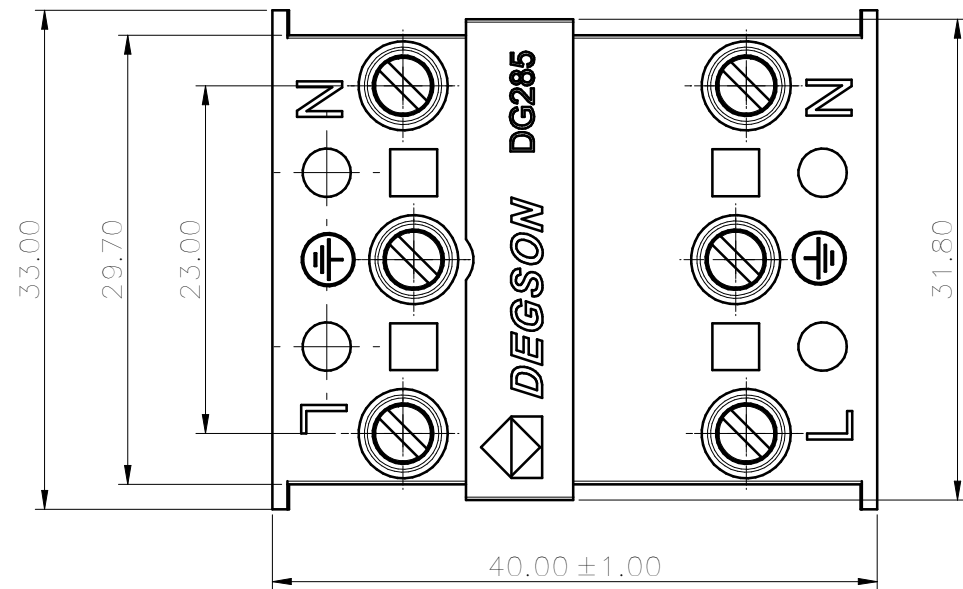


未注公差/General tolerances(mm)												D 0.1/10	
0	>3	>6	>10	>18	>30	>50	>80	>120	>180	>250	>315		>400
~3	~6	~10	~18	~30	~50	~80	~120	~180	~250	~315	~400	~500	
+0.12	+0.18	+0.22	+0.26	+0.31	+0.37	+0.57	+0.80	+0.93	+1.05	+1.15	+1.60	+2.20	+2.50



Note: The A&Z(H) in the name means :A(H) and Z(H).

5	Screw	Steel	Zn Plated
4	Socket	Copper alloy	Ni Plated
3	Plug	Copper alloy	Ni Plated
2	Housing2	PA66	UL94V-2
1	Housing1	PA66	UL94V-2
ITEM	NAME OF PART	MATERIAL	NOTES

UL 标准/UL Standard:	B	C	D
额定电压/电流/Rated Voltage(V)/Current(A)	300/16	7	7
IEC 标准/IEC Standard:			
过压类别/Overvoltage Category/污染等级/Pollution Degree	III/3	III/2	II/2
额定电压/电流/Rated Voltage(V)/Current(A)	/	400/24	/
额定脉冲电压(kV)/Rate Impulse Voltage(kV)	/	2.5	/
螺丝扭矩/Torque Tightening(N·m/Lb.in)	M3, 0.5/4.43		
线径范围 硬线和软线/Wire Range(rigid and flexible)(AWG/mm ²)	18~12 / 2.5		
间距/Pitch(mm)/线数范围/Polos	11.50/N=03P		
剥线长度/Stripping length(mm)	7		
使用温度范围/Operating temperature(°C)	-40~+105		
符合 RoHS 环保要求/Conform to RoHS	Yes		
插拔力/insertion and pull-out force	14~43N(insertion) 13~38N(Pull-out)		

DEGSON		MATERIAL: /	SURFACE/COLOR: /	
APPD: 核准人	核准日期	MAT NO./REV: 10080000083-1 / 00	MAT STATUS: /	
CHKD: 审核人	审核日期	NAME		
DRFT: 设计人	设计日期	DG285-03P-19-00A&Z(H)		
REV	ECN	DESCRIPTION	DRFT	DATE
00	/	/	/	/
DRAWING NO. 200042044		TYPE CUSTOMER DRAWING	DRAWING STATUS 已发布	SCALE 2:1
SHEET 1/1				

Transfer or duplication of this document as well as the utilization or communication of its contents are prohibited unless explicit authorization is granted. Violations will be liable for compensation. All rights reserved for patent, utility model or design registrations. 除经书面明确授权外, 复制、利用、交流本文件的内容, 均属侵权行为, 侵权者将承担法律责任。本公司保留对专利及设计的所有权利。