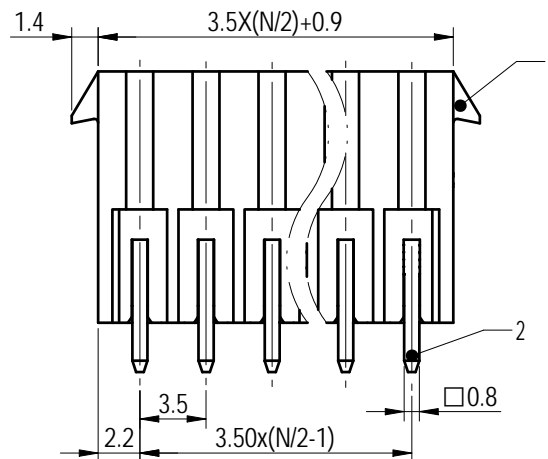
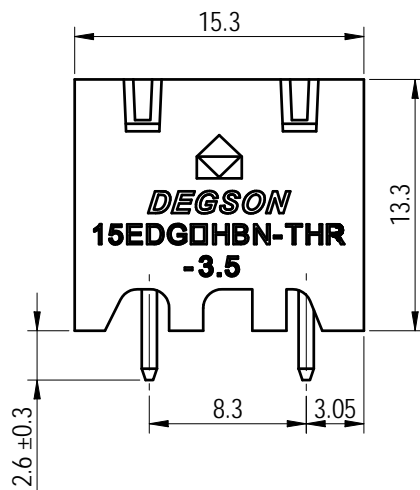
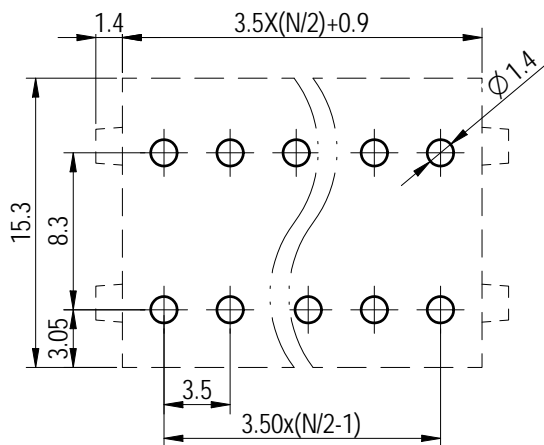
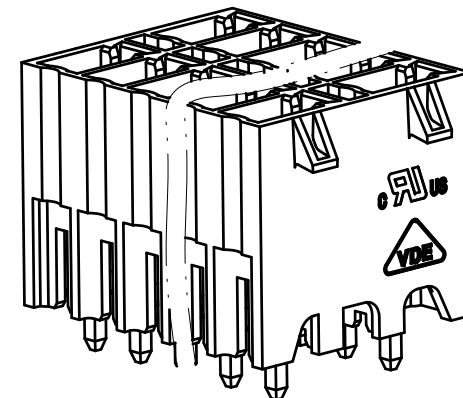
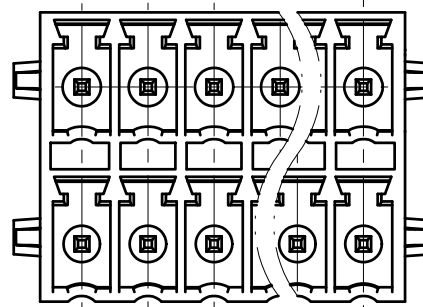


PCB LAYOUT



未注公差/General tolerances (mm)													0.1/10	
0	>3	>6	>10	>18	>30	>50	>80	>120	>180	>250	>315	>400		>500
±0.12	±0.18	±0.22	±0.26	±0.31	±0.37	±0.57	±0.80	±0.93	±1.05	±1.15	±1.60	±2.20	±2.50	±2'



Note:  
The A&Z(H) in the name means: A(H) and Z(H).

ITEM	NAME OF PART	MATERIAL	NOTES
2	Pin	Copper	Sn Plated
1	Housing	Thermoplastic	UL94V-0

UL 标准/UL Standard:	B	C	D
额定电压/电流/Rated Voltage(V)/Current(A)	300/8	/	300/8
IEC 标准/IEC Standard:			
过压类别/Overvoltage Category/污染等级/Pollution Degree	III/3	III/2	II/2
额定电压/电流/Rated Voltage(V)/Current(A)	/	/	250/8
额定脉冲电压(KV)/Rate Impulse Voltage(KV)	/	/	2.5
间距/Pitch(mm)/线数范围/Poles	3.5/N=04~48P		
使用温度范围/Operating temperature(°C)	-40~+130		
符合RoHS环保要求/Conform to RoHS	Yes		
标准颜色编号/Standard color number: PANTONE / RAL	/		

**DEGSON**

APPD: 兰春华 2023.03.03  
 CHKD: 龚耀志 2023.02.28  
 DRFT: 方哲盛 2023.02.27

方哲盛 2023.02.27

DRFT: 方哲盛 2023.02.27

DATE

A4

(inch)

MATERIAL:	SURFACE/COLOR:		
MAT NO./REV: - / 00	MAT STATUS: 批量		
NAME			
15EDGVHBN-THR-3.5-XXP-1Y-10A&Z(H)			
DRAWING NO.	TYPE	DRAWING STATUS	SCALE
200019837	CUSTOMER DRAWING	已发布	2.5:1
SHEET		SHEET	
1/1		1/1	

REV	ECN	DESCRIPTION	DRFT	DATE
00			方哲盛	2023.02.27

Transfer or duplication of this document as well as the utilization or communication of its contents are prohibited unless authorized in writing by the copyright holder. All rights reserved for patent, utility model or design registrations. 除专利、实用新型、外观设计、软件著作权等权利外，其他权利均归作者所有。未经许可，不得复制或传播。