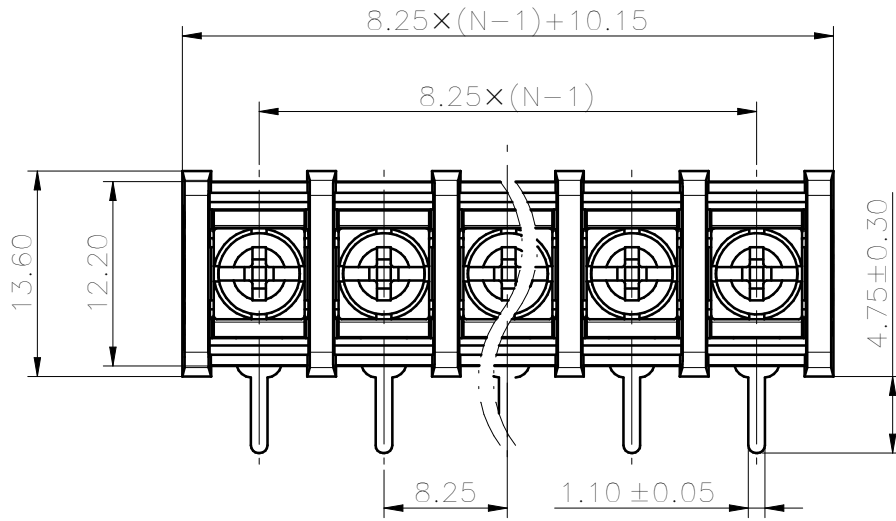
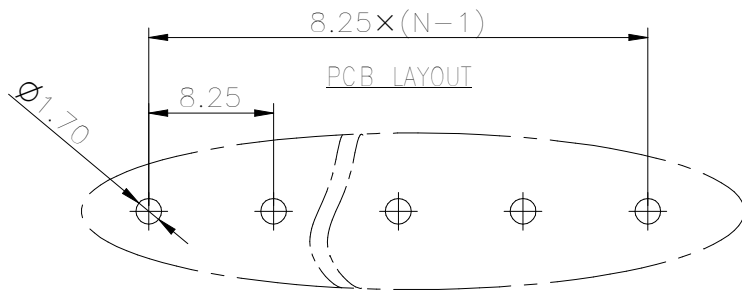
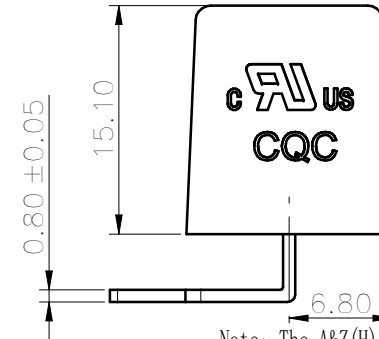
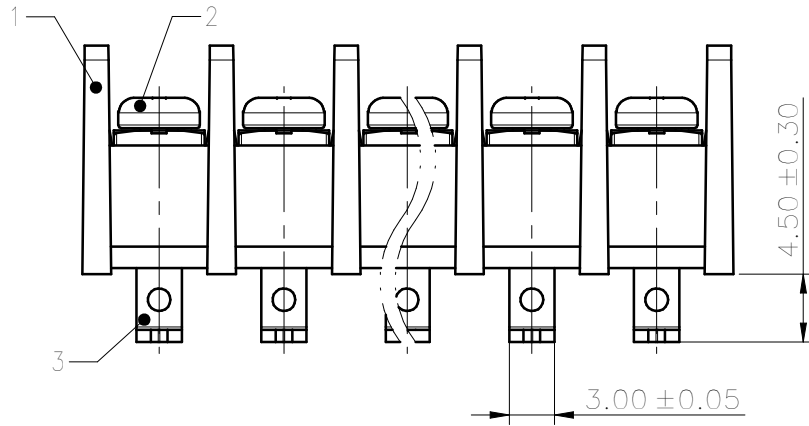
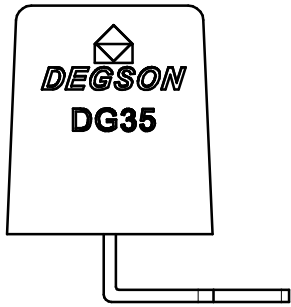


Transfer or duplication of this document as well as the utilization or summation of its contents are prohibited unless authorized in writing by Degson. All rights reserved for patent, utility model or design registrations. 除专利、实用新型、外观设计、发明专利、软件著作权、集成电路布图设计专有权、域名权等知识产权外，本公司保留所有权利。



未注公差/General tolerances (mm)													0.1/10 ±2'
0	>3	>6	>10	>18	>30	>50	>80	>120	>180	>250	>315	>400	
~3	~6	~10	~18	~30	~50	~80	~120	~180	~250	~315	~400	~500	>500
±0.12	±0.18	±0.22	±0.26	±0.31	±0.37	±0.57	±0.80	±0.93	±1.05	±1.15	±1.60	±2.20	±2.50
3	Screw			Steel			M3/Ni Plated						
2	Pin header			Copper alloy			Sn Plated						
1	Housing			PA66			UL94V-0						
ITEM	NAME OF PART			MATERIAL			NOTES						



Note: The A&Z (H) in the name means :A(H) and Z(H).

UL 标准/UL Standard:	B	C	D
额定电压/电流/Rated Voltage(V)/Current (A)	300V/20	/	/
IEC 标准/IEC Standard:			
过压类别/Overtoltage Category/污染等级/Pollution Degree	III/3	III/2	II/2
额定电压/电流/Rated Voltage(V)/Current (A)	/	/	/
额定脉冲电压(KV)/Rate Impulse Voltage(KV)	/	/	/
螺丝扭矩/Torque Tightening(N · m/Lb.in)	M3, 0.5/4.43		
线径范围(硬线和软线)/Wire Range(rigid and flexible)(AWG/mm <sup>2</sup> )	22~12		
间距/Pitch(mm)/线数范围/Poles	8.25N=02~26P		
剥线长度/Stripping length(mm)	/		
使用温度范围/Operating temperature(°C)	-40~+105		
符合 RoHS 环保要求/Conform to RoHS	Yes		
标准颜色编号/Standard color number: PANTONE / RAL	XXXX / XXX		

<b>DEGSON</b>		MATERIAL:	SURFACE/COLOR:	
MAT NO./REV: - / 00		MAT STATUS: 批量		
APPD: 蓝贵凡	2024.04.22	NAME		
CHKD: 曹利彬	2024.04.22	DG35R-B-XXP-13-00A&Z (H)		
DRFT: 刘翔	2024.04.22	DRAWING NO.	TYPE	DRAWING STATUS
REV	ECN	DESCRIPTION	SCALE	SHEET
00		刘翔	2024.04.22	200065765
2		刘翔	2024.04.22	CUSTOMER DRAWING
3		刘翔	2024.04.22	已发布
4		刘翔	2024.04.22	2:1
5		刘翔	2024.04.22	1/1