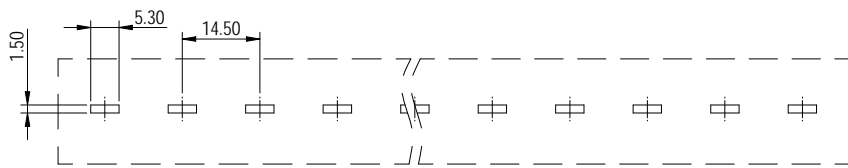
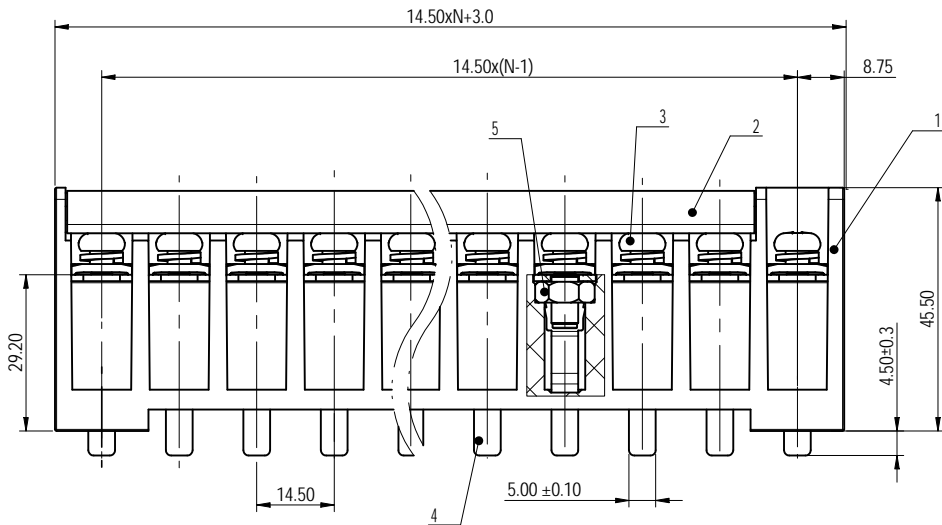
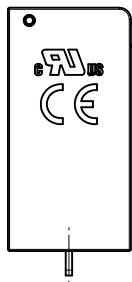
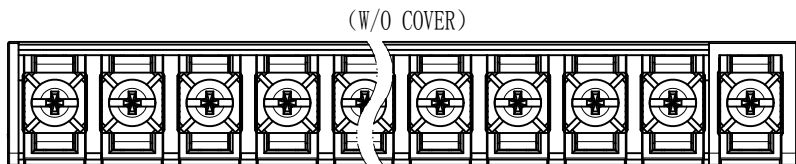
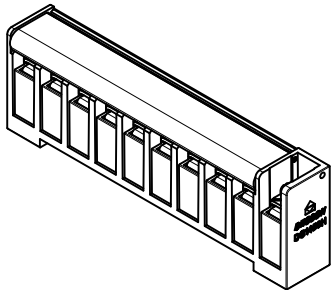
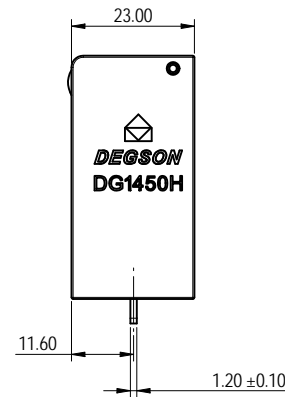


1:2



PCB LAYOUT

P距方向公差(mm)			其他尺寸公差(mm)					—	∩	∇
≤6	6 ~ 10	10 ~ 24	≤30	30 ~ 60	60 ~ 100	100 ~ 150	>150	0.05/10		
±0.10	±0.15	±0.25	±0.20	±0.30	±0.50	±0.70	±1.00	±1'		



Note: The A&Z (H) in the name means: A(H) and Z(H).

UL 额定电压/电流/Rated Voltage/Current	600V/45A
UL 工频耐压/R.M.S withstand voltage	AC2200V/1Min
IEC 额定电压/电流/Rated Voltage/Current	1000V/76A
额定脉冲电压/Rate Impulse Voltage(KV)	4
线径范围/Wire range(AWG/mm <sup>2</sup> )	22-8/0.5-16
线数范围/Poles	N=03-14P
重点管符号/Key controlled symbol	*
螺丝扭矩/Tightening torque(N.m/Lb.in)	M5: 2.0/17.54
使用温度范围/Operating temperature(°C)	40-+120

ITEM	NAME OF PART	MATERIAL	NOTES
5	Nut	STEEL	Zn Plated
4	Pin header	BRASS	Sn Plated
3	Screws	STEEL	Zn Plated
2	Cover	PC	UL94V-0
1	Housing	PBT	UL94V-0

		MATERIAL:		SURFACE/COLOR:	
APPD: 彭敏	2024.11.25	MAT NO./REV: / 00		MAT STATUS: 批量	
CHKD: 曹利彬	2024.11.25	NAME: DG1450H-B-YXP-1Y-00A&Z(H)			
DRAFT: 姜氏洁	2024.11.25	DRAWING NO. 200074289	TYPE CUSTOMER DRAWING	DRAWING STATUS 已发布	SCALE 1:1
REV 00	ECN	DESCRIPTION	DRAFT	DATE	SHEET 1/1

Transfer or duplication of this document as well as the utilization or reproduction of its contents without the written permission of DEIGSON is prohibited. All rights reserved for patent. 此文件及其中内容之复制或再行传播，或未经许可擅自使用其中内容，均属侵权行为。DEIGSON 保留所有权利。未经许可，不得复制或传播此文件及其内容。