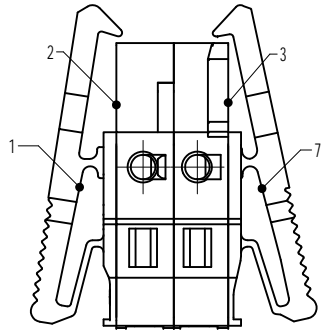
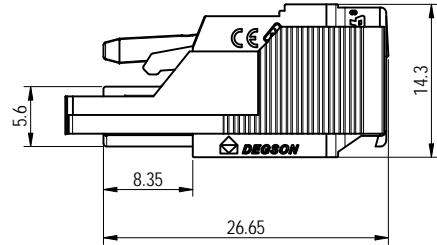
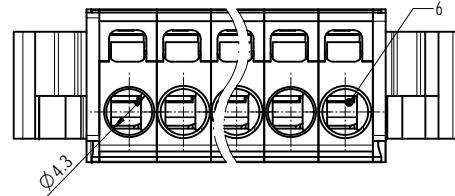
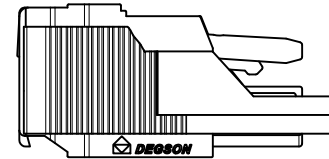
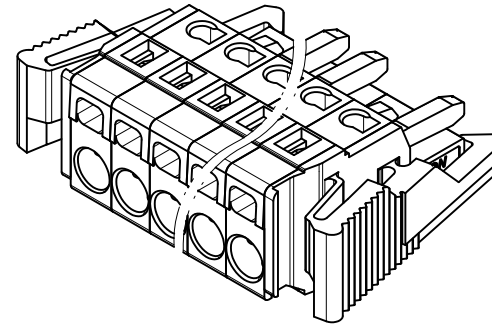
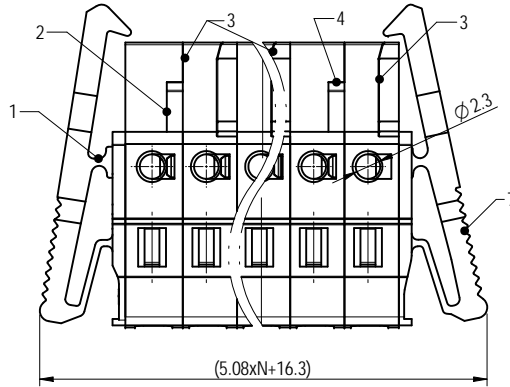
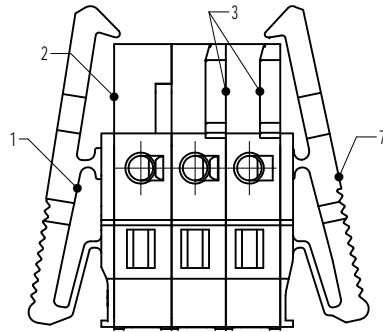


02P

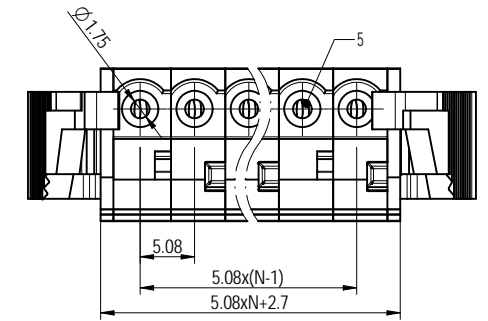


03P



未注公差/General tolerances(mm)														
0	>3	>6	>10	>18	>30	>50	>80	>120	>180	>250	>315	>400	>500	0.1/10
~	~	~	~	~	~	~	~	~	~	~	~	~	~	∠
3	6	10	18	30	50	80	120	180	250	315	400	500	±0.12	±0.17
													±0.25	±0.31
													±0.37	±0.57
													±0.80	±0.93
													±1.05	±1.15
													±1.80	±2.20
													±2.50	±2.50
													±2.50	±2.50
UL 标准/UL Standard:											B	C	D	
额定电压/电流/Rated Voltage(V)/Current(A)											300/15	7	300/10	
IEC 标准/IEC Standard:														
过压类别/Over voltage Category /污染等级/Pollution Degree											III/3	III/2	II/2	
额定电压/电压/Rated Voltage(V)/Current(A)											320/20	/	/	
额定脉冲电压(RV)/Rate Impulse Voltage(KV)											4	/	/	
线径范围(硬线和软线)/Wire Range(rigid and flexible)(AWG)											22-14 /0.2- 2.5			
间距/Pitch(mm)/线数范围/Poles											5.08/N=02-24P			
剥线长度/Stripping length(mm)											9-10			
使用温度范围/Operating temperature(°C)											-40~+105			
符合RoHS环保要求/Conf orm to RoHS											Yes			

7	Cover 2	PA66	UL94V-0
6	Spring	Stainless Steel	/
5	Clamp	Copper alloy	Sn Plated
4	Housing 2	PA66	UL94V-0
3	Housing 1	PA66	UL94V-0
2	Side Housing	PA66	UL94V-0
1	Cover 1	PA66	UL94V-0
ITEM	NAME OF PART	MATERIAL	NOTES



DEGSON		MATERIAL:	SURFACE/COLOR: PANTONE 7534 U		
APPD: 竺春华		MAT NO./REV: - / 00	MAT STATUS: 批量		
CHKD: 姜耀志		NAME: 8EDGKG-5.08-XXP-11-1001A&Z(H)			
DRFT: 周锡德		DRAWING NO.:	TYPE:	DRAWING STATUS:	SCALE:
DATE: 2024.12.09		200322634	CUSTOMER DRAWING	已发布	2:1
00	REV	ECN	DESCRIPTION	DRFT	DATE
				周锡德	2024.12.09
A3		1:1		1/1	

00	REV	ECN	DESCRIPTION	DRFT	DATE
				周锡德	2024.12.09

Transfer or duplication of this document as well as the utilization or reproduction of its contents without the written consent of DEGSON is prohibited. All rights reserved for patent. 未经授权复制或传播本文件以及未经许可使用或复制其内容均被禁止。所有权利保留。