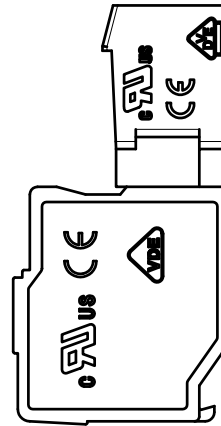
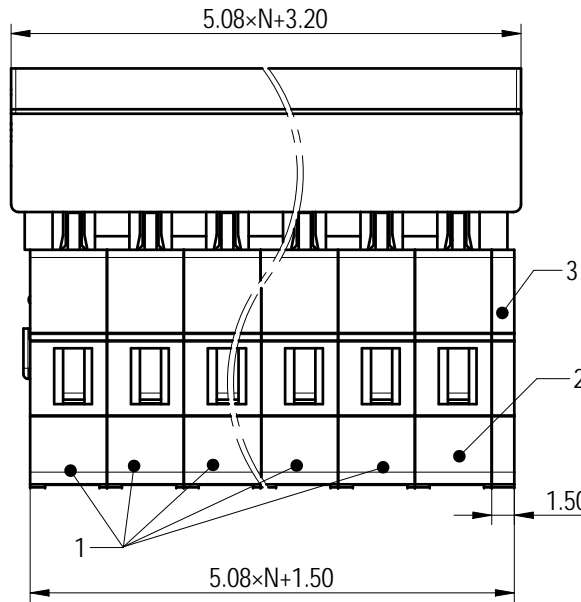
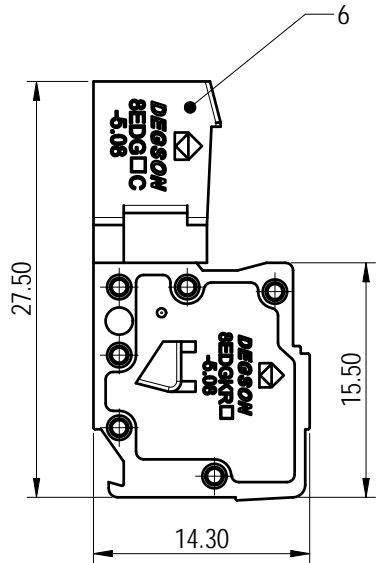
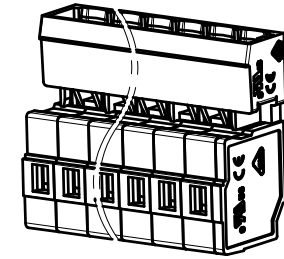
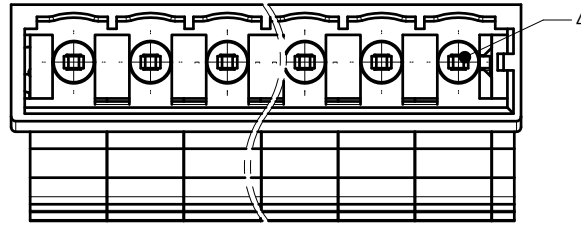
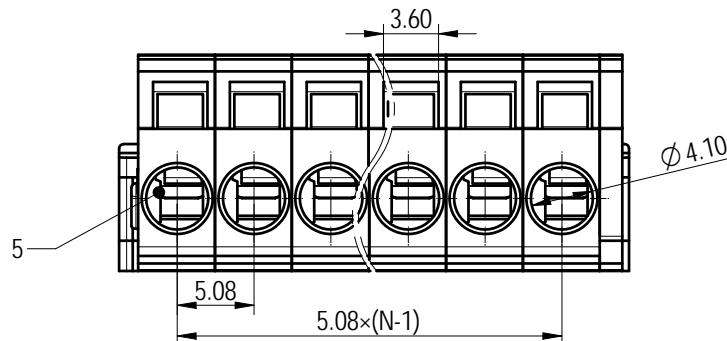


未注公差/General tolerances (mm)													0.1/10	
0	>3	>6	>10	>18	>30	>50	>80	>120	>180	>250	>315	>400		
~3	~6	~10	~18	~30	~50	~80	~120	~180	~250	~315	~400	~500	>500	
±0.12	±0.18	±0.22	±0.26	±0.31	±0.37	±0.57	±0.80	±0.93	±1.05	±1.15	±1.60	±2.20	±2.50	±2'



ITEM	NAME OF PART	MATERIAL	NOTES
6	Top housing	PA66	UL94V-0
5	Spring	Stainless Steel	/
4	Pin	Copper alloy	Sn Plated
3	Cover	PA66	UL94V-0
2	Side Housing	PA66	UL94V-0
1	Housing	PA66	UL94V-0



UL 标准/UL Standard:	B	C	D
额定电压/电流/Rated Voltage(V)/Current(A)	300'15	/	/
IEC 标准/IEC Standard:			
过压类别/Overtoltage Category/污染等级/Pollution Degree	III/3	III/2	II/2
额定电压/电流/Rated Voltage(V)/Current(A)	/	320/20	/
额定脉冲电压(KV)/Rate Impulse Voltage(KV)	/	4	/
线径范围(硬线和软线)/Wire Range(rigid and flexible)(AWG mm²)	22- 14' 0.2- 2.5		
间距/Pitch(mm)/线数范围/Poles	5.08/N= 02- 24P		
剥线长度/Stripping length(mm)	9- 10		
使用温度范围/Operating temperature(°C)	-40- + 105		
符合 RoHS 环保要求/Conform to RoHS	Yes		

<b>DEGSON</b>		MATERIAL:	SURFACE/COLOR: PANTONE 7534 U		
APPD: 蓝贵凡 2023.01.06		MAT NO./REV: - / 00	MAT STATUS: 批量		
CHKD: 曹利彬 2023.01.04		NAME			
DRFT: 虞倩松 2023.01.04		8EDGKR-5.08-XXP-11-01A&Z(H)			
DRAWING NO.	TYPE	DRAWING STATUS	SCALE	SHEET	
200126861	CUSTOMER DRAWING	已发布	2:1	1/1	

REV	ECN	DESCRIPTION	DRFT	DATE
00		由PMT3版升级至TC00版	虞倩松	2023.01.04

Transfer or duplication of this document as well as the utilization or communication of its contents are prohibited unless authorization is granted. Violations will be held for compensation. All rights reserved for patent, utility model or design registrations. 除专利等明确标注外, 复制、印刷、光磁等文件的传播、使用、未经授权的复制或分发, 公司将保留追究法律责任的权利。