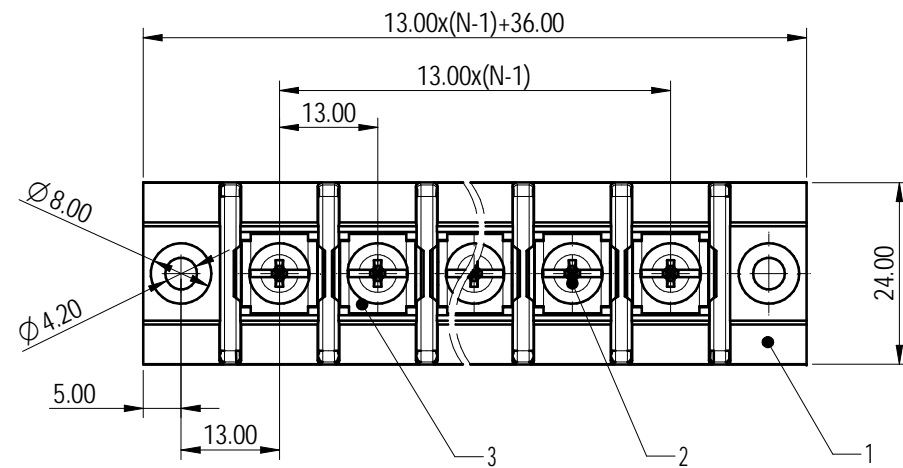
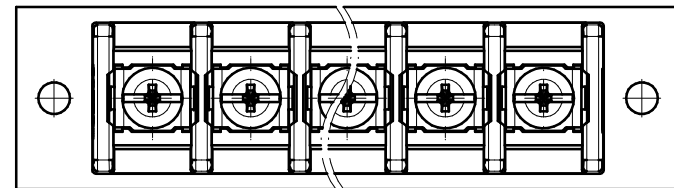
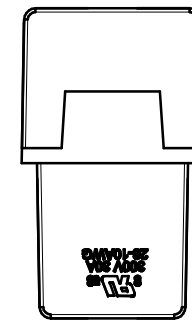
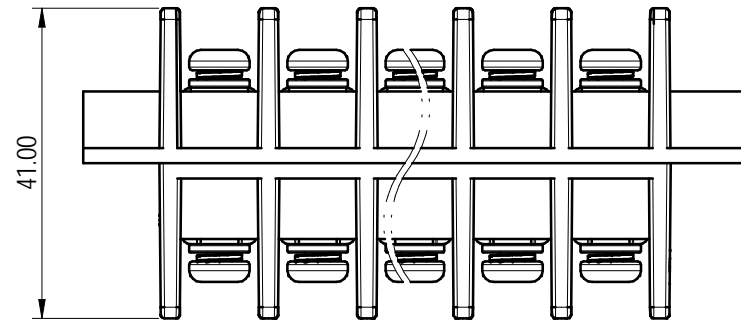
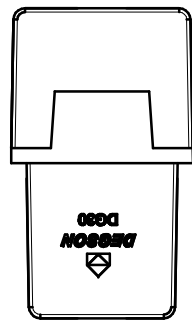
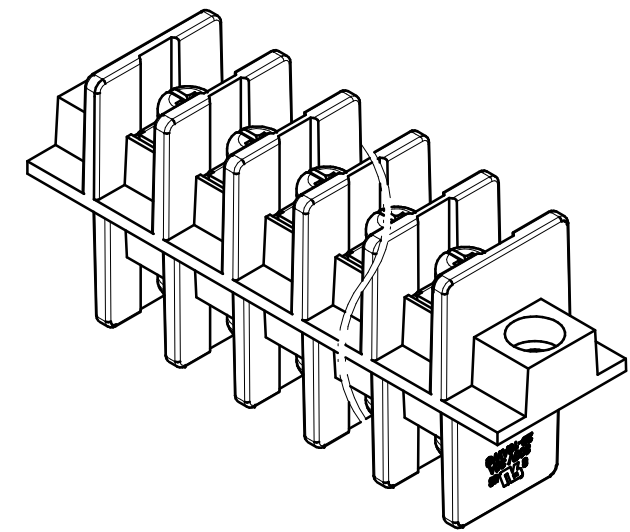


未注公差/General tolerances(mm)													
0	>3	>6	>10	>18	>30	>50	>80	>120	>180	>250	>315	>400	0.1/10
~3	~6	~10	~18	~30	~50	~80	~120	~180	~250	~315	~400	~500	±2'
±0.12	±0.18	±0.22	±0.26	±0.31	±0.37	±0.57	±0.80	±0.93	±1.05	±1.15	±1.60	±2.50	
UL 标准/UL Standard:										B	C	D	
额定电压/电流/Rated Voltage(V)/Current(A)										300/30	/	300/10	
IEC 标准/IEC Standard:													
过压类别/Overvoltage Category/污染等级/Pollution Degree										III/3	III/2	II/2	
额定电压/电流/Rated Voltage(V)/Current(A)										450/32	/	/	
螺栓扭矩/Torque Tightening(N·m/Lb.in)										M4,1.2/10.62			
线径范围(硬线和软线)/Wire Range(rigid and flexible)(AWG/mm <sup>2</sup> )										4 /28~10			
间距/Pitch(mm)/线数范围/Poles										13.0/N=02-10P			
使用温度范围/Operating temperature(°C)										-40~+105			
符合 RoHS 环保要求/Conform to RoHS										Yes			



Umarked dimensions please refer to 3d model



Notes: The A&Z(H) in the name means:A(H) and Z(H)

3	Screw	Steel	Ni plated
2	Pin header	Copper alloy	Sn plated
1	Housing	PA66+GF	UL94V-0
ITEM	NAME OF PART	MATERIAL	NOTES

<b>DEGSON</b>		MATERIAL: /		SURFACE/COLOR: /	
APPD: 蓝贵凡 2022.11.18		MAT NO./REV: / / 00		MAT STATUS: 批量	
CHKD: 曹利彬 2022.11.18		NAME			
DRFT: 汪德荣 2022.11.18		DG30-A-XXP-1Y-00A&Z(H)			
REV	ECN	DESCRIPTION	DRFT	DATE	DRAWING NO.
00	/	/	汪德荣	2022.11.18	/
		TYPE		DRAWING STATUS	SCALE
		CUSTOMER DRAWING		已发布	1:1
		SHEET		1/1	

00	/	/	汪德荣	2022.11.18
REV	ECN	DESCRIPTION	DRFT	DATE

Transfer or duplication of this document as well as the utilization or communication of its contents are prohibited unless explicit authorization is granted. Violations will be liable for compensation. All rights reserved for patent.