

Transfer or duplication of this document as well as the utilization or communication of its contents are prohibited unless explicitly permitted in writing by Degson. All rights reserved for patent, utility model or design registrations. 除专利、实用新型、外观设计、发明专利权外，本公司保留所有权利。

FOR-1755 Rev. 2.2

2

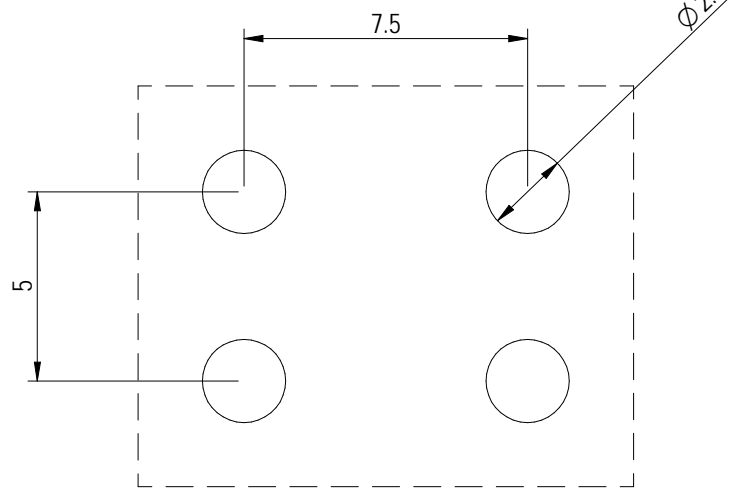
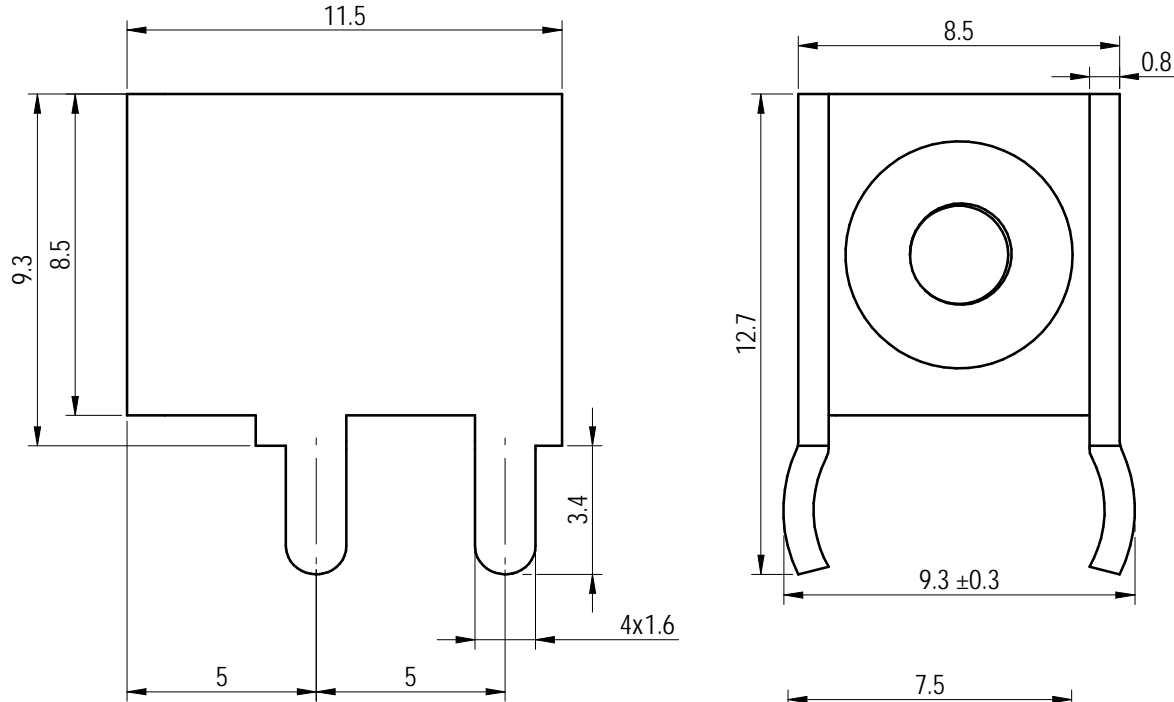
3

4

5

6

未注公差/General tolerances (mm)													0.1/10	
0 ~ 3	>3 ~ 6	>6 ~ 10	>10 ~ 18	>18 ~ 30	>30 ~ 50	>50 ~ 80	>80 ~ 120	>120 ~ 180	>180 ~ 250	>250 ~ 315	>315 ~ 400	>400 ~ 500		>500
±0.12	±0.18	±0.22	±0.26	±0.31	±0.37	±0.57	±0.80	±0.93	±1.05	±1.15	±1.60	±2.20	±2.50	±2'



PCB LAYOUT

Note: The A&Z(H) in the name means :A(H) and Z(H)

ITEM	NAME OF PART	MATERIAL	NOTES
2	Nut	Steel	M3/Zn Plated
1	Pin header	Copper alloy	M3/Sn Plated
UL 额定电流/ Current			60A
螺丝扭矩/Tightening torque(N·m/Lb.in)			M3, 0.5/4.43

<b>DEGSON</b>		MATERIAL: /	SURFACE/COLOR: /			
		MAT NO./REV: /	MAT STATUS: /			
APPD: 核准人	核准日期	NAME				
CHKD: 审核人	审核日期	K94-01A&Z(H)				
DRFT: 设计人	设计日期					
④	A4	DRAWING NO.	TYPE	DRAWING STATUS	SCALE	SHEET
↔ mm (inch)		200322087	CUSTOMER DRAWING	/	5:1	1/1

REV	ECN	DESCRIPTION	DRFT	DATE
00	/	/	/	/

1

2

3

4

5

6

A

B

C

D