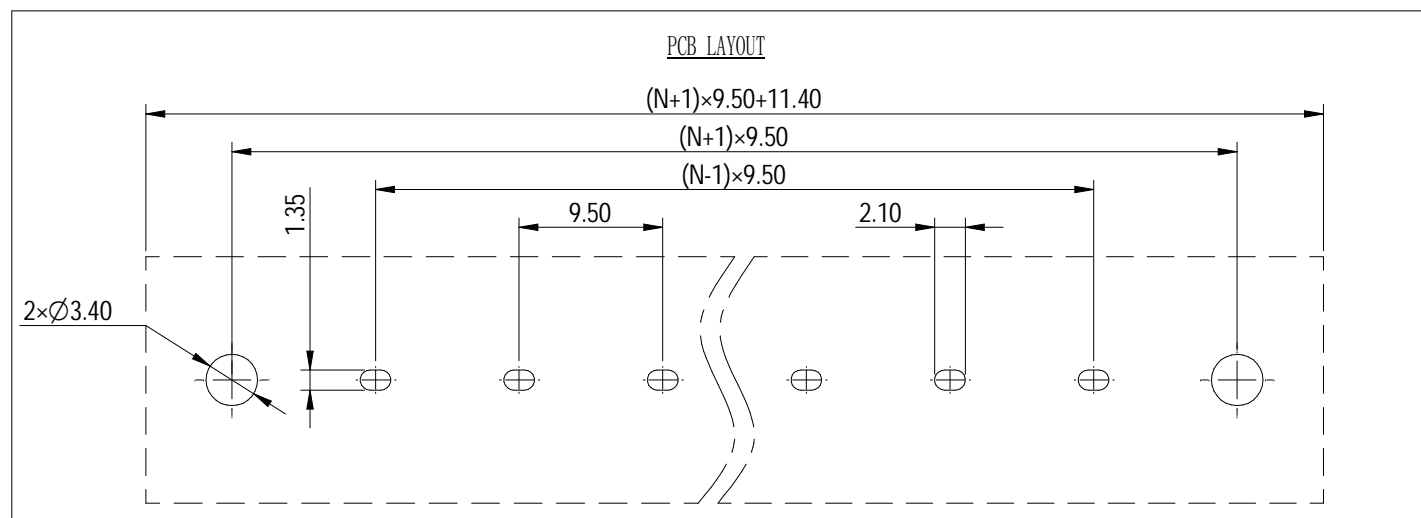
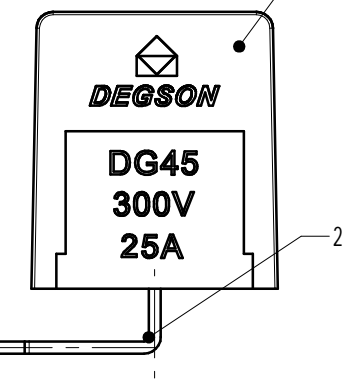
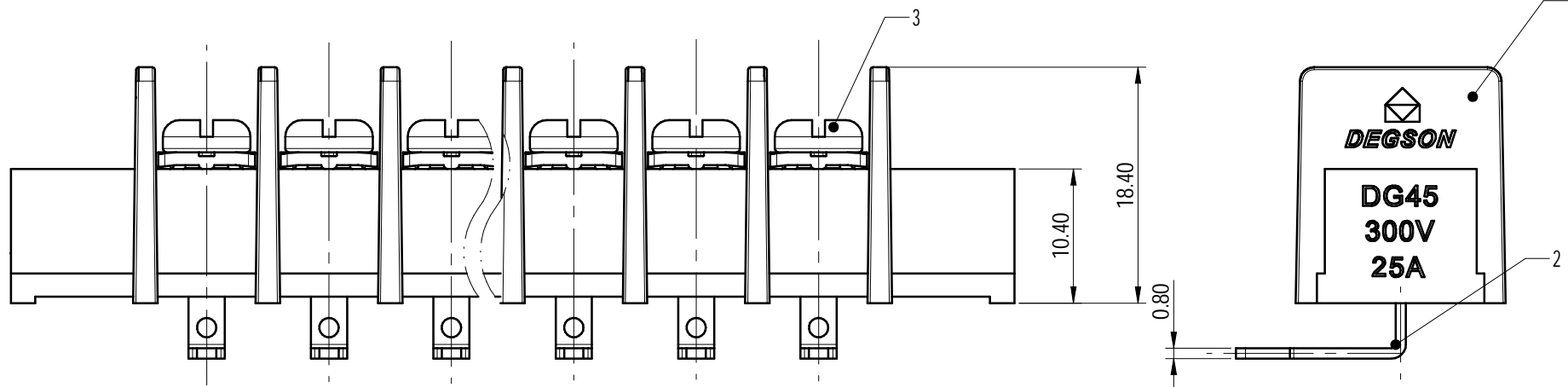
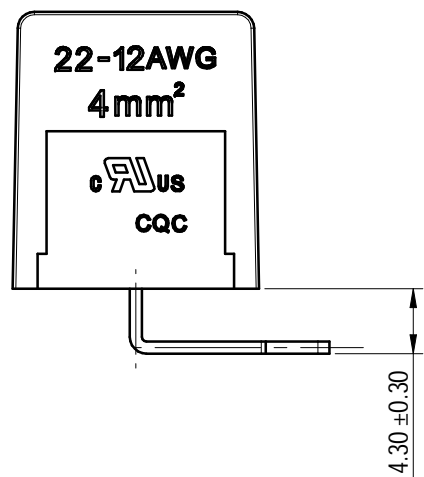
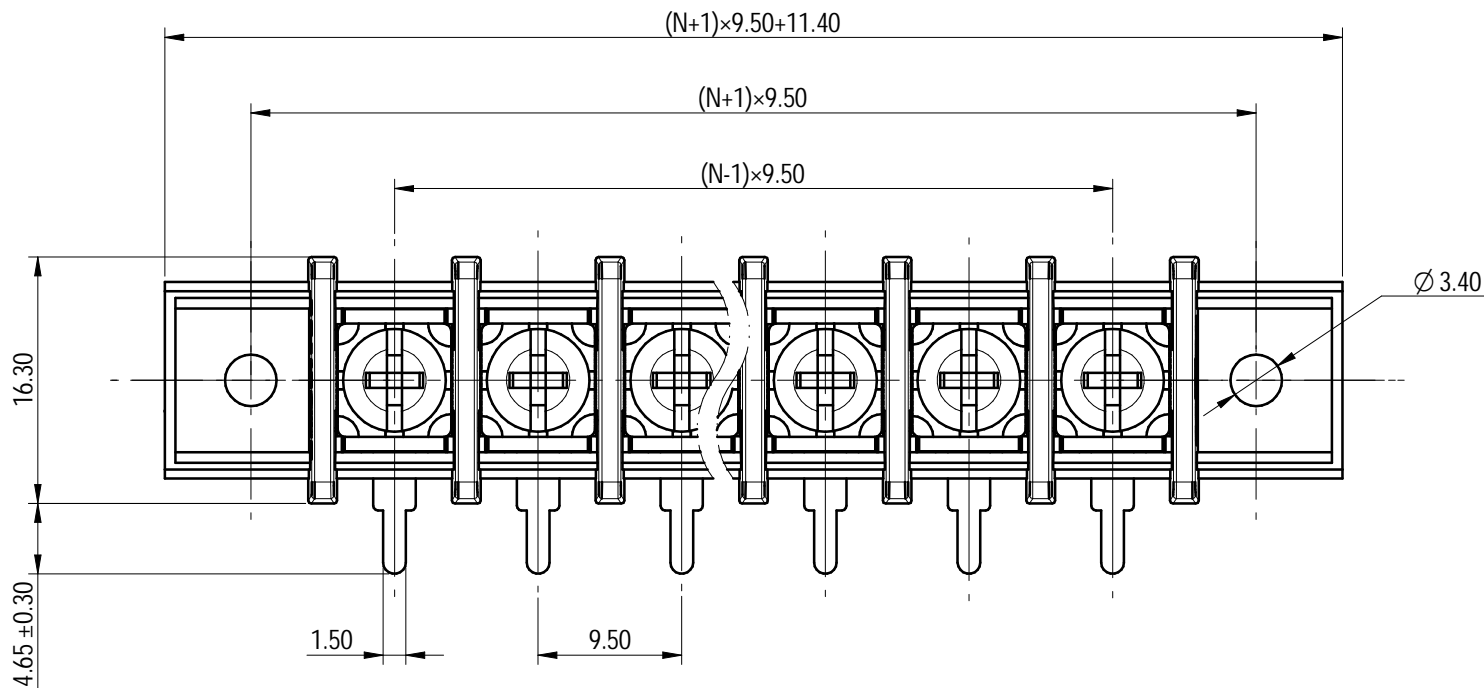


未注公差/General tolerances (mm)											0.1/10 ±2'		
0 ~ 3	>3 ~ 6	>6 ~ 10	>10 ~ 18	>18 ~ 30	>30 ~ 50	>50 ~ 80	>80 ~ 120	>120 ~ 180	>180 ~ 250	>250 ~ 315		>315 ~ 400	>400 ~ 500
±0.12	±0.18	±0.22	±0.26	±0.31	±0.37	±0.57	±0.80	±0.93	±1.05	±1.15	±1.60	±2.20	±2.50



Note: The A&Z(H) in the name means :A(H) and Z(H)

ITEM	NAME OF PART	MATERIAL	NOTES
3	Screw	Steel	Ni plated
2	Pin header	Brass	Sn plated
1	Housing	PA66	UL94V-0
UL 标准/UL Standard:			
额定电压/电涌/Rated Voltage(V)/Current(A)	300/25	B	C D
额定电压/电涌/Rated Voltage(V)/Current(A)	300/25	/	300/10
螺丝扭矩/Torque Tightening(N·m/Lb.in)	M4, 1.2/10.53		
线径范围(硬线和软线)/Wire Range(rigid and flexible)(AWG/mm²)	22~12 / 0.32~3.3		
间距/Pitch(mm)/线数范围/Poles	9.5/N=02~24P		
使用温度范围/Operating temperature(°C)	-40~+105		
符合RoHS环保要求/Conform to RoHS	Yes		

DEGSON MATERIAL: / SURFACE/COLOR: /
 MAT NO./REV: / // MAT STATUS: /
 APPD: 核准人 核准日期 NAME
 CHKD: 审核人 审核日期
 DRFT: 设计人 设计日期
 DRAWING NO. 200321481 TYPE CUSTOMER DRAWING DRAWING STATUS / SCALE 2:1 SHEET 1/1

00	ECN	/	/	/
REV	ECN	DESCRIPTION	DRFT	DATE

Transfer or duplication of this document, as well as the utilization or communication of its contents are prohibited unless explicit authorization is granted. Violations will be liable for compensation. All rights reserved for patent. 复制或再行传播此文件, 以及利用或传播其内容, 均须经本公司明确书面授权。未经授权, 擅自复制或传播, 本公司保留追究法律责任。 侵权必究。