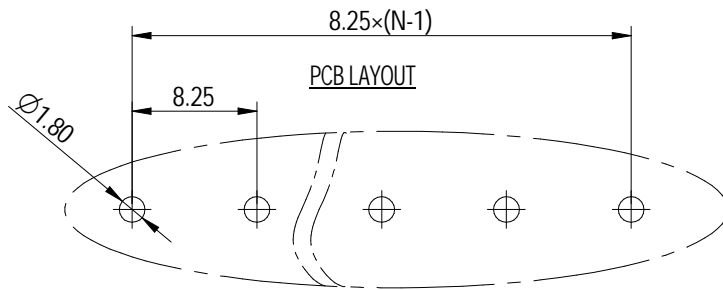
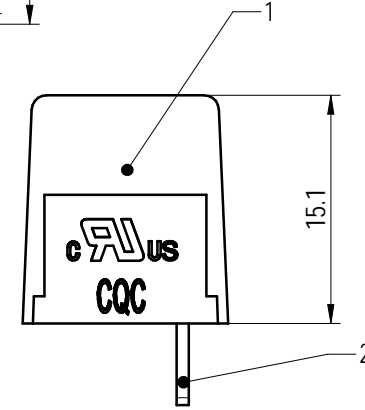
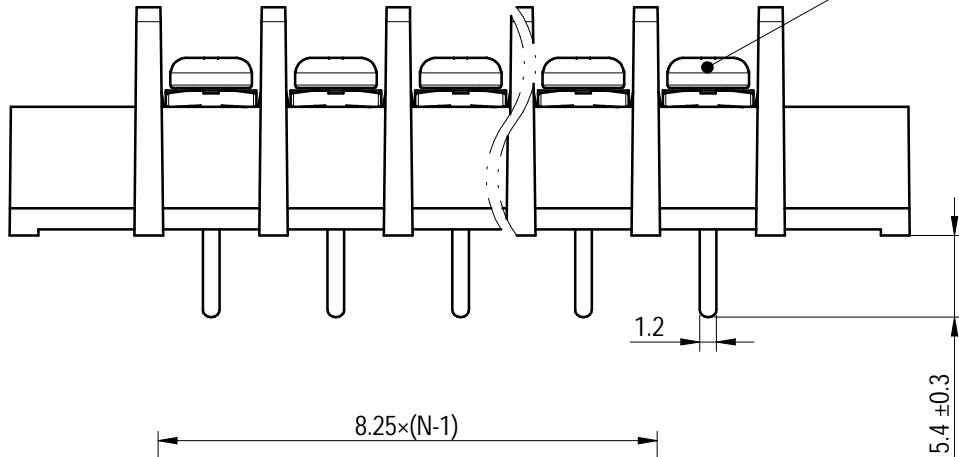
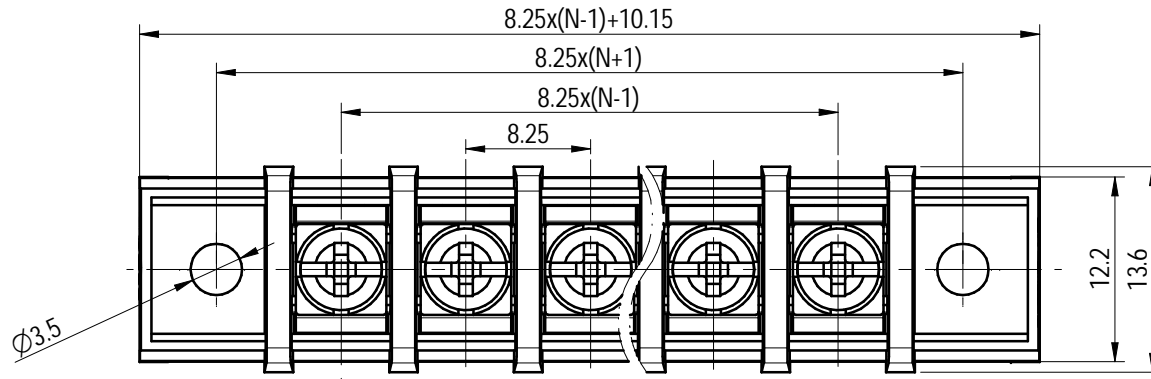


未注公差/General tolerances (mm)											0.1/10 ±2'		
0 ~ 3	>3 ~ 6	>6 ~ 10	>10 ~ 18	>18 ~ 30	>30 ~ 50	>50 ~ 80	>80 ~ 120	>120 ~ 180	>180 ~ 250	>250 ~ 315		>315 ~ 400	>400 ~ 500
±0.12	±0.18	±0.22	±0.26	±0.31	±0.37	±0.57	±0.80	±0.93	±1.05	±1.15	±1.60	±2.20	±2.50



Note: The A&Z(H) in the name means : A(H) and Z(H)

ITEM	NAME OF PART	MATERIAL	NOTES
3	Screw	Steel	M3/Ni plated
2	Pin header	Brass	Sn plated
1	Housing	PA66	UL94V-0

UL 标准/UL Standard:	B	C	D
额定电压/电流/Rated Voltage(V)/Current(A)	300/20	/	300/10
UL工频耐压/R.M.S withstand voltage	AC2000V/1Min		
螺丝扭矩/Torque Tightening(N·m/Lb.in)	M3, 0.5/4.43		
线径范围(硬线和软线)/Wire Range(rigid and flexible)(AWG/mm²)	22~12 / 0.32~3.3		
间距/Pitch(mm)/线数范围/Poles	8.25/N=02~24P		
使用温度范围/Operating temperature(°C)	-40~+105		
符合RoHS环保要求/Conform to RoHS	Yes		

<b>DEGSON</b>		MATERIAL: /	SURFACE/COLOR: /	
APPD: 核准人 核准日期		MAT NO./REV: /	MAT STATUS: /	
CHKD: 审核人 审核日期		NAME		
DRFT: 设计人 设计日期		DG35S-A-XXP-1Y-00A&Z(H)		
DRAWING NO.	TYPE	DRAWING STATUS	SCALE	SHEET
200321430	CUSTOMER DRAWING	/	1:1	1/1

REV	ECN	DESCRIPTION	DRFT	DATE
00	/	/	/	/

Transfer or duplication of this document as well as the utilization or communication of its contents are prohibited without the prior written authorization of DEGSON. All rights reserved for patent. 除专利外，所有其他权利均保留。 未经授权，禁止复制或传播。 未经授权，禁止在本文件的基础上进行任何修改、复制或传播。 未经授权，禁止在本文件的基础上进行任何修改、复制或传播。