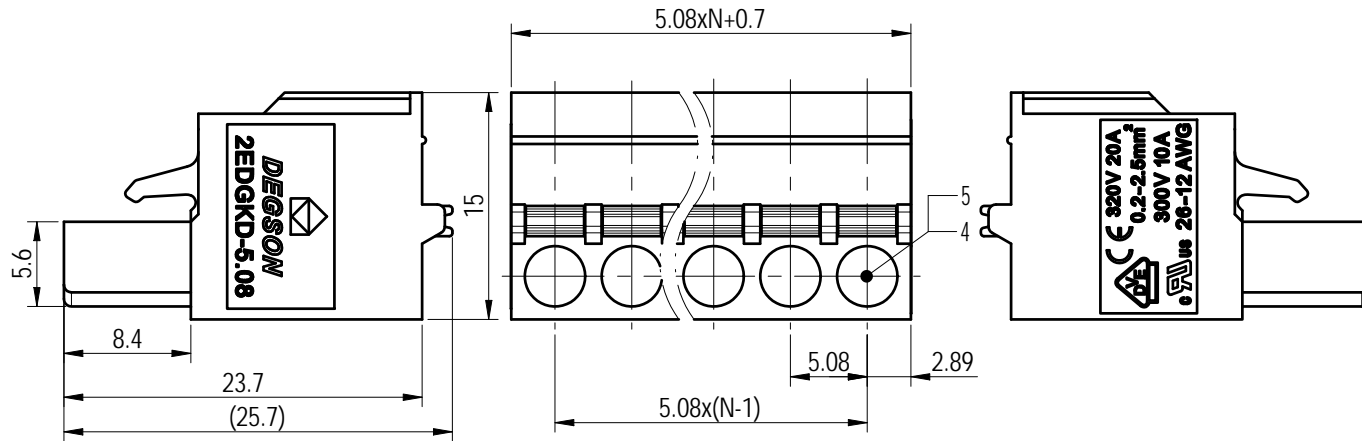
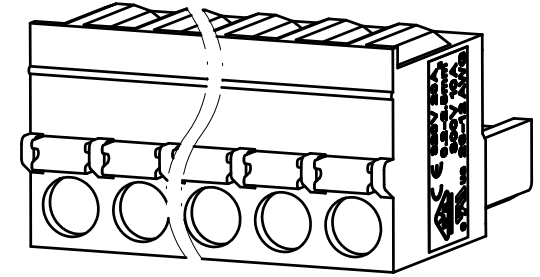
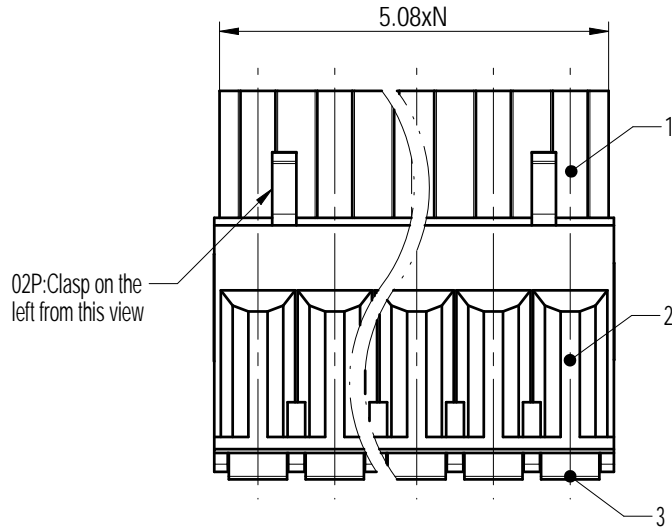


未注公差/General tolerances (mm)													0.1/10 ±2'
0	>3	>6	>10	>18	>30	>50	>80	>120	>180	>250	>315	>400	
~3	~6	~10	~18	~30	~50	~80	~120	~180	~250	~315	~400	~500	>500
±0.12	±0.18	±0.22	±0.26	±0.31	±0.37	±0.57	±0.80	±0.93	±1.05	±1.15	±1.60	±2.20	±2.50



Note:
The A&Z(H) in the name means: A(H) and Z(H).

ITEM	NAME OF PART	MATERIAL	NOTES
5	Spring	Stainless steel	/
4	Clamp	Copper Alloy	Sn Plated
3	Button	PA66	UL94V-0
2	Housing	PA66	UL94V-0
1	Cover	PA66	UL94V-0

UL 标准/UL Standard:	B	C	D
额定电压/电流/Rated Voltage(V)/Current(A)	300/10	/	300/10
IEC 标准/IEC Standard:			
过压类别/Overvoltage Category/污染等级/Pollution Degree	III/3	III/2	II/2
额定电压/电流/Rated Voltage(V)/Current(A)	/	320/20	/
额定脉冲电压(KV)/Rate Impulse Voltage(KV)	/	4	/
螺丝扭矩/Torque Tightening(N·m/Lb.in)	/		
线径范围(硬线和软线)/Wire Range(rigid and flexible)(AWG/mm ²)	26~12/ 0.2~2.5		
间距/Pitch(mm)/线数范围/Poles	5.08/N=02~24P		
剥线长度/Stripping length(mm)	9~10		
使用温度范围/Operating temperature(°C)	-40~+105		
符合RoHS环保要求/Conform to RoHS	Yes		
标准颜色编号/Standard color number: PANTONE / RAL	/		



MATERIAL:	SURFACE/COLOR:
MAT NO./REV:	MAT STATUS: 批量

APPD: 兰春华	2022. 11. 01	NAME
CHKD: 龚耀志	2022. 11. 01	

DRFT: 刘强	2022. 11. 01	DRAWING NO.	TYPE	DRAWING STATUS	SCALE	SHEET
		200029803	CUSTOMER DRAWING	已发布	2:1	1/1

00	ECN	DESCRIPTION	刘强	2022. 11. 01
REV	ECN	DESCRIPTION	DRFT	DATE

Transfer or duplication of this document as well as the utilization or communication of its contents are prohibited unless explicit authorization is granted. Violations will be liable for compensation. All rights reserved for patent, utility model or design registrations. 除非得到明确授权, 否则禁止再出、复制、引用、交流本文档的任何内容。 未经授权擅自复制或传播, 侵权必究。