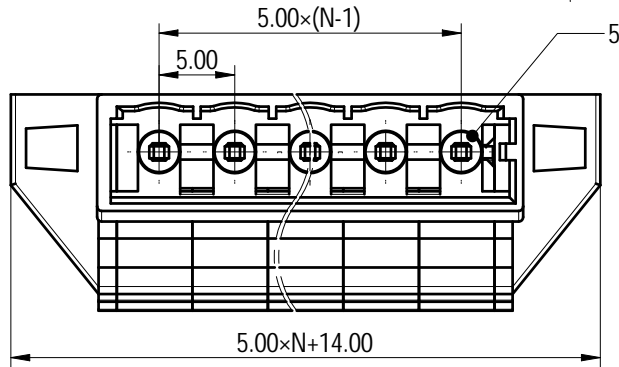
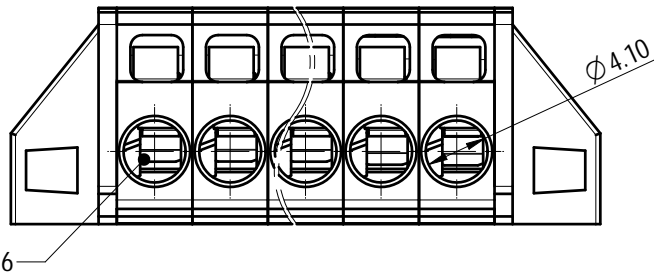
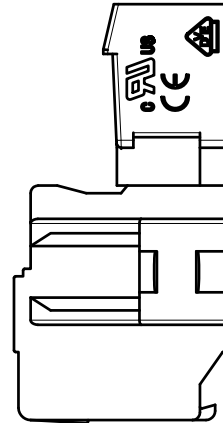
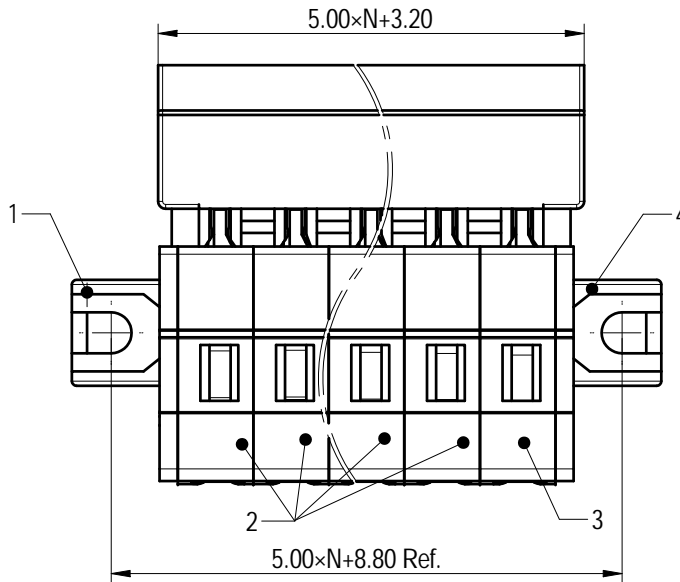
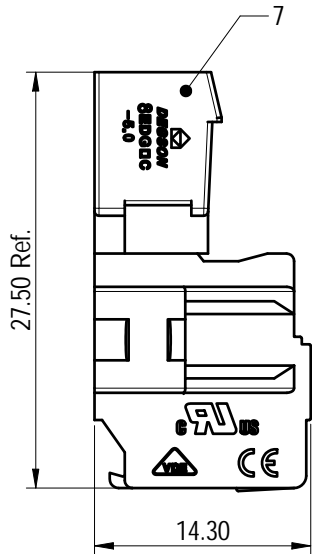
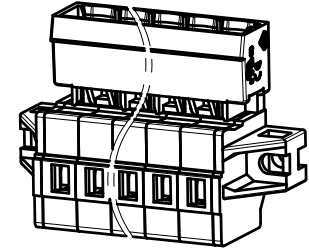


未注公差/General tolerances (mm)													0.1/10
0	>3	>6	>10	>18	>30	>50	>80	>120	>180	>250	>315	>400	
~3	~6	~10	~18	~30	~50	~80	~120	~180	~250	~315	~400	~500	>500
±0.12	±0.18	±0.22	±0.26	±0.31	±0.37	±0.57	±0.80	±0.93	±1.05	±1.15	±1.60	±2.20	±2.50



SCALE 1:1



Note: The A&Z (H) in the name means: A(H) and Z(H).

ITEM	NAME OF PART	MATERIAL	NOTES
7	Housing2	PA66	UL94V-0
6	Spring	Stainless Steel	/
5	Pin	Copper alloy	Sn Plated
4	Cover2	PA66	UL94V-0
3	Side housing	PA66	UL94V-0
2	Housing1	PA66	UL94V-0
1	Cover1	PA66	UL94V-0

UL 标准/UL Standard:	B	C	D
额定电压/电流/Rated Voltage(V)/Current(A)	300/15	/	/
IEC 标准/IEC Standard:			
过压类别/Overvoltage Category/污染等级/Pollution Degree	III/3	III/2	II/2
额定电压/电流/Rated Voltage(V)/Current(A)	/	320/20	/
额定脉冲电压(KV)/Rate Impulse Voltage(KV)	/	4	/
线径范围(硬线和软线)/Wire Range(rigid and flexible)(AWG/mm ²)	22~14/ 0.2~2.5		
间距/Pitch(mm)/线数范围/Poles	5.0/N=02~24P		
剥线长度/Stripping length(mm)	9~10		
使用温度范围/Operating temperature(°C)	-40~+105		
符合RoHS环保要求/Conform to RoHS	Yes		

DEGSON		MATERIAL:	SURFACE/COLOR: PANTONE 428C		
MAT NO./REV: - / 00		MAT STATUS: 批量			
APPD: 蓝贵凡	2023.05.15	NAME			
CHKD: 曹利彬	2023.05.15	8EDGKRM-5.0-XXP-11-01A&Z(H)			
DRFT: 姜民洁	2023.05.15	DRAWING NO.	TYPE	DRAWING STATUS	SCALE
		200127367	CUSTOMER DRAWING	已发布	2:1
					SHEET 1/1

REV	ECN	DESCRIPTION	DRFT	DATE
00				

Transfer or duplication of this document as well as the utilization or communication of its content are prohibited unless authorized in writing by Degson. All rights reserved for patent, utility model or design registrations. 除专利权、商标、实用新型、外观设计、发明专利等权利外，本公司保留对涉及发明、实用新型、外观设计、发明专利等权利的所有权利。