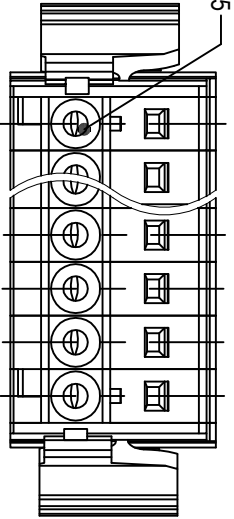
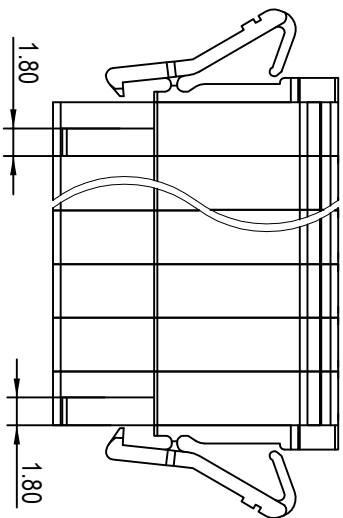
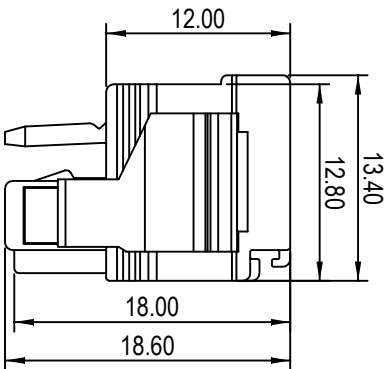
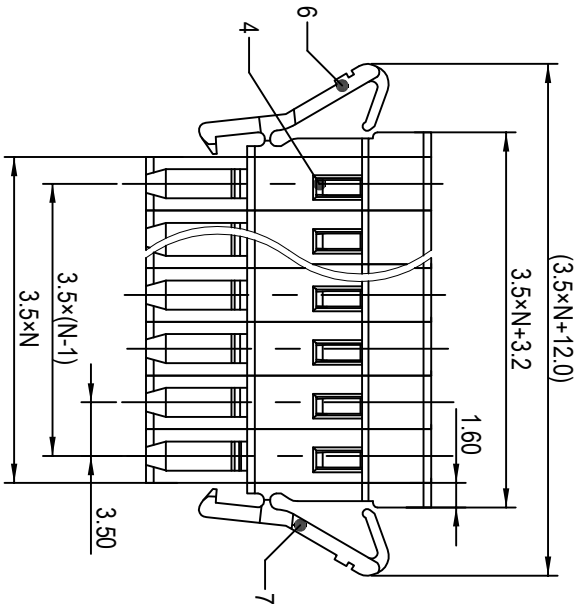


公差 (General Tolerances)		公差 (mm)	
0	±0.10	0.10	0.10
1	±0.15	0.15	0.15
2	±0.20	0.20	0.20
3	±0.25	0.25	0.25
4	±0.30	0.30	0.30
5	±0.35	0.35	0.35
6	±0.40	0.40	0.40
7	±0.45	0.45	0.45
8	±0.50	0.50	0.50
9	±0.55	0.55	0.55
10	±0.60	0.60	0.60
11	±0.65	0.65	0.65
12	±0.70	0.70	0.70
13	±0.75	0.75	0.75
14	±0.80	0.80	0.80
15	±0.85	0.85	0.85
16	±0.90	0.90	0.90
17	±0.95	0.95	0.95
18	±1.00	1.00	1.00
19	±1.05	1.05	1.05
20	±1.10	1.10	1.10
21	±1.15	1.15	1.15
22	±1.20	1.20	1.20
23	±1.25	1.25	1.25
24	±1.30	1.30	1.30
25	±1.35	1.35	1.35
26	±1.40	1.40	1.40
27	±1.45	1.45	1.45
28	±1.50	1.50	1.50
29	±1.55	1.55	1.55
30	±1.60	1.60	1.60
31	±1.65	1.65	1.65
32	±1.70	1.70	1.70
33	±1.75	1.75	1.75
34	±1.80	1.80	1.80
35	±1.85	1.85	1.85
36	±1.90	1.90	1.90
37	±1.95	1.95	1.95
38	±2.00	2.00	2.00
39	±2.05	2.05	2.05
40	±2.10	2.10	2.10
41	±2.15	2.15	2.15
42	±2.20	2.20	2.20
43	±2.25	2.25	2.25
44	±2.30	2.30	2.30
45	±2.35	2.35	2.35
46	±2.40	2.40	2.40
47	±2.45	2.45	2.45
48	±2.50	2.50	2.50
49	±2.55	2.55	2.55
50	±2.60	2.60	2.60
51	±2.65	2.65	2.65
52	±2.70	2.70	2.70
53	±2.75	2.75	2.75
54	±2.80	2.80	2.80
55	±2.85	2.85	2.85
56	±2.90	2.90	2.90
57	±2.95	2.95	2.95
58	±3.00	3.00	3.00
59	±3.05	3.05	3.05
60	±3.10	3.10	3.10
61	±3.15	3.15	3.15
62	±3.20	3.20	3.20
63	±3.25	3.25	3.25
64	±3.30	3.30	3.30
65	±3.35	3.35	3.35
66	±3.40	3.40	3.40
67	±3.45	3.45	3.45
68	±3.50	3.50	3.50
69	±3.55	3.55	3.55
70	±3.60	3.60	3.60
71	±3.65	3.65	3.65
72	±3.70	3.70	3.70
73	±3.75	3.75	3.75
74	±3.80	3.80	3.80
75	±3.85	3.85	3.85
76	±3.90	3.90	3.90
77	±3.95	3.95	3.95
78	±4.00	4.00	4.00
79	±4.05	4.05	4.05
80	±4.10	4.10	4.10
81	±4.15	4.15	4.15
82	±4.20	4.20	4.20
83	±4.25	4.25	4.25
84	±4.30	4.30	4.30
85	±4.35	4.35	4.35
86	±4.40	4.40	4.40
87	±4.45	4.45	4.45
88	±4.50	4.50	4.50
89	±4.55	4.55	4.55
90	±4.60	4.60	4.60
91	±4.65	4.65	4.65
92	±4.70	4.70	4.70
93	±4.75	4.75	4.75
94	±4.80	4.80	4.80
95	±4.85	4.85	4.85
96	±4.90	4.90	4.90
97	±4.95	4.95	4.95
98	±5.00	5.00	5.00
99	±5.05	5.05	5.05
100	±5.10	5.10	5.10

ITEM	NAME OF PART	MATERIAL	NOTES
1	Side Housing 1	PA66	UL94V-0
2	Housing	PA66	UL94V-0
3	Side Housing2	PA66	UL94V-0
4	Clamp	Copper alloy	Sn Plated
5	Spring	Copper alloy	Sn Plated
6	Hook 1	PA66	UL94V-0
7	Hook 2	PA66	UL94V-0



Note: The ARZIH in the name means: AH and ZIH.

UL Standard:	B	C	D
额定电压/电涌/Rated Voltage(V)/Current(A)	300/10	/	300/10
IEC 标准/IEC Standard:			
过压类别/Overvoltage Category/污染等级/Pollution Degree	III/3	III/2	II/2
额定电压/电涌/Rated Voltage(V)/Current(A)	250/10	/	/
线径范围(硬线和软线)/Wire Range(rigid and flexible)(AWG/mm²)	28-14/0.2-1.5		
间距/Pitch (mm)/线数范围/ Poles	3.5N=02~24P		
使用温度范围/Operating temperature(°C)	-40~+105		
符合RoHS环保要求/Conform to RoHS	Yes		



MATERIAL:	SURFACE COLOR:
MAT NO:REV: - / 00	MAT STATUS: 批量

XX203P

8EDKG-3.5-XP-11-01ARZIH

REV	EN	DESCRIPTION	DRAWING NO.	TYPE	DRAWING STATUS	SCALE	SHEET
00	EN		2001/23093	CUSTOMER DRAWING	已发布	2:1	1/1

DRFT	DATE
孙科豪	2023/02/23

DRFT	DATE
孙科豪	2023/02/23

APD:	CHKD:	DRFT:	DATE:
蓝非凡	曹利彬	孙科豪	2023/02/23

REV	EN	DESCRIPTION	DRFT	DATE	DRFT	DATE
00	EN		孙科豪	2023/02/23	孙科豪	2023/02/23