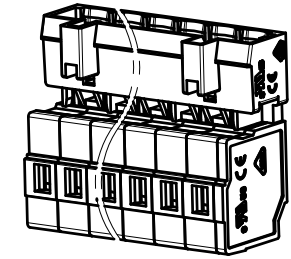
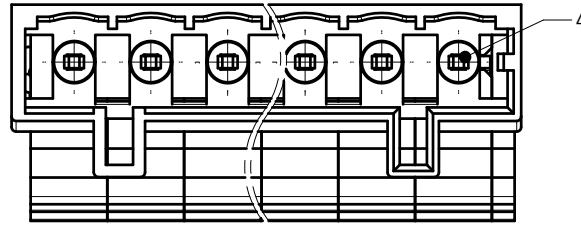
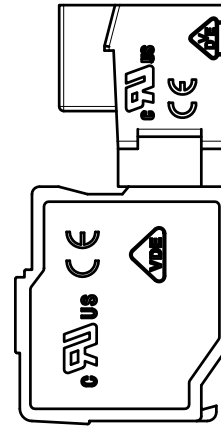
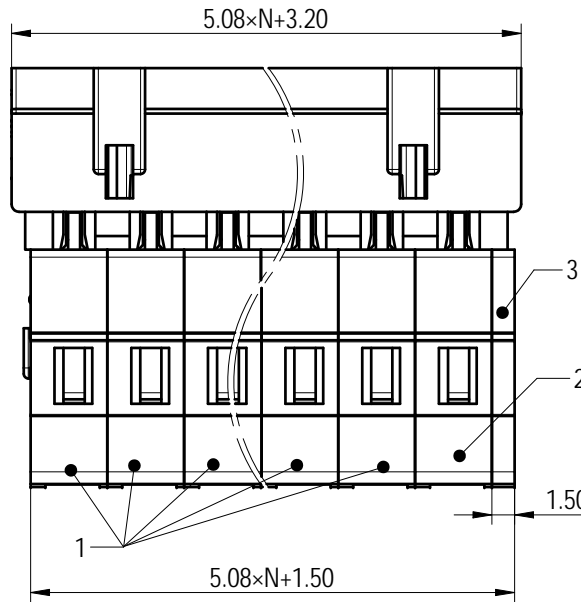
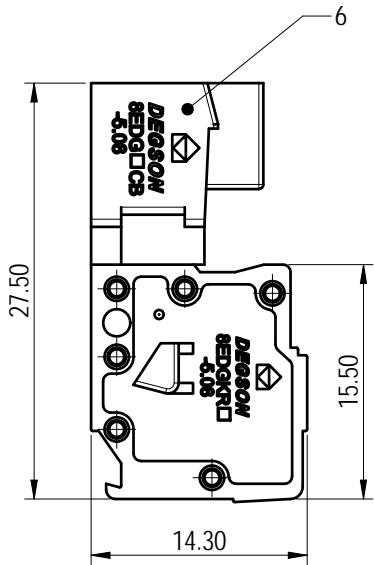


未注公差/General tolerances (mm)													0.1/10	
0	>3	>6	>10	>18	>30	>50	>80	>120	>180	>250	>315	>400		
~3	~6	~10	~18	~30	~50	~80	~120	~180	~250	~315	~400	~500	>500	
±0.12	±0.18	±0.22	±0.26	±0.31	±0.37	±0.57	±0.80	±0.93	±1.05	±1.15	±1.60	±2.20	±2.50	±2'

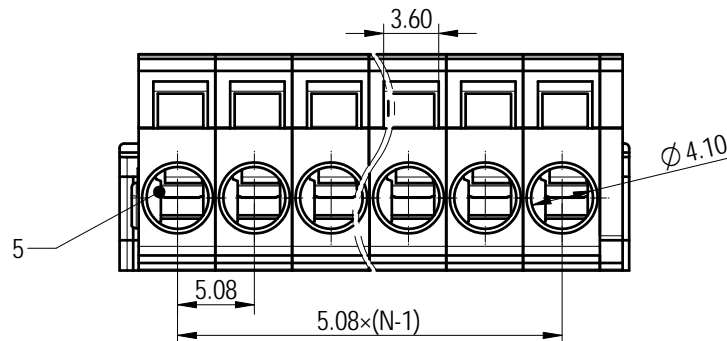


1:1



Note: The A&Z (H) in the name means: A(H) and Z(H).

ITEM	NAME OF PART	MATERIAL	NOTES
6	Top housing	PA66	UL94V-0
5	Spring	Stainless Steel	/
4	Pin	Copper alloy	Sn Plated
3	Cover	PA66	UL94V-0
2	Side Housing	PA66	UL94V-0
1	Housing	PA66	UL94V-0



UL 标准/UL Standard:	B	C	D
额定电压/电流/Rated Voltage(V)/Current(A)	300/15	/	/
IEC 标准/IEC Standard:			
过压类别/Overvoltage Category/污染等级/Pollution Degree	III/3	III/2	II/2
额定电压/电流/Rated Voltage(V)/Current(A)	/	320/20	/
额定脉冲电压(KV)/Rate Impulse Voltage(KV)	/	4	/
线径范围(硬线和软线)/Wire Range(rigid and flexible)(AWG/mm²)	22~14/ 0.2~2.5		
间距/Pitch(mm)/线数范围/Poles	5.08/N=02~24P		
剥线长度/Stripping length(mm)	9~10		
使用温度范围/Operating temperature(°C)	-40~+105		
符合RoHS环保要求/Conform to RoHS	Yes		

DEGSON		MATERIAL:	SURFACE/COLOR: pantone 428C		
APPD: 蓝贵凡	2023.01.06	MAT NO./REV: - / 00	MAT STATUS: 批量		
CHKD: 曹利彬	2023.01.05	NAME			
DRFT: 虞倩松	2023.01.04	8EDGKRB-5.08-XXP-11-01A&Z(H)			
REV	ECN	DESCRIPTION	DRAWING NO.	TYPE	DRAWING STATUS
00		由PDM1版升级至TC00版	200127305	CUSTOMER DRAWING	已发布
DRFT	DATE	DRFT	SCALE	SHEET	
虞倩松	2023.01.04	虞倩松	2:1	1/1	

REV	ECN	DESCRIPTION	DRFT	DATE
00		由PDM1版升级至TC00版	虞倩松	2023.01.04

Transfer or duplication of this document as well as the utilization or communication of its contents are prohibited unless explicit authorization is granted. Violations will be liable for compensation. All rights reserved for patent, utility model or design registrations. 除专利等明确授权外, 否则禁止再行出版、复制、翻译、分发等任何形式的再行。 侵犯专利等权利者, 侵权者将承担相关法律责任。 本公司保留所有权利。