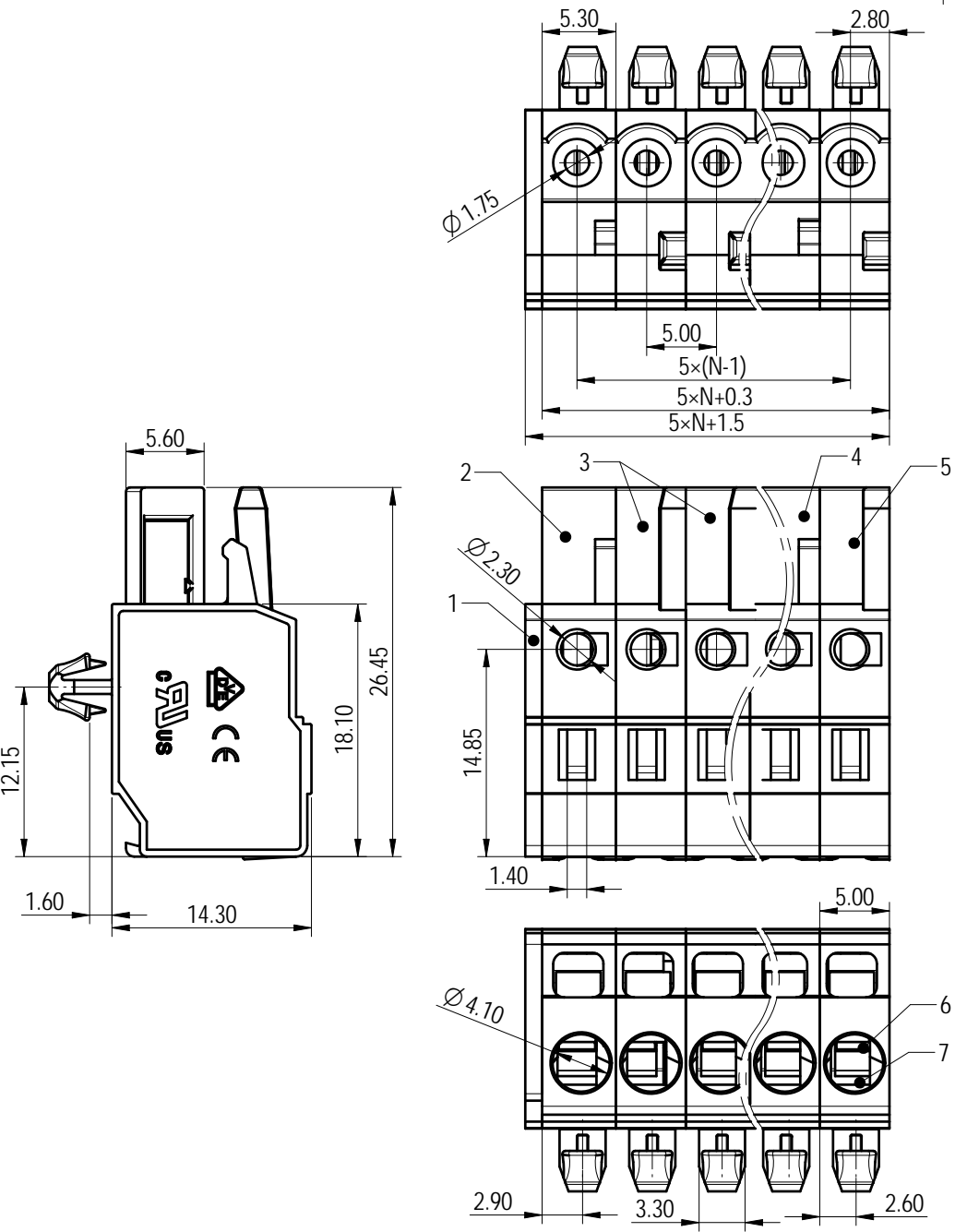
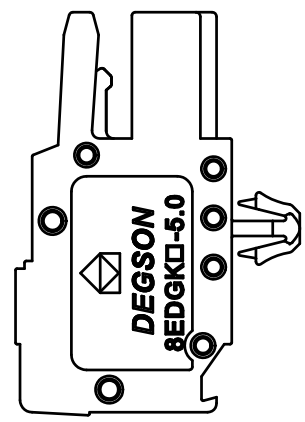
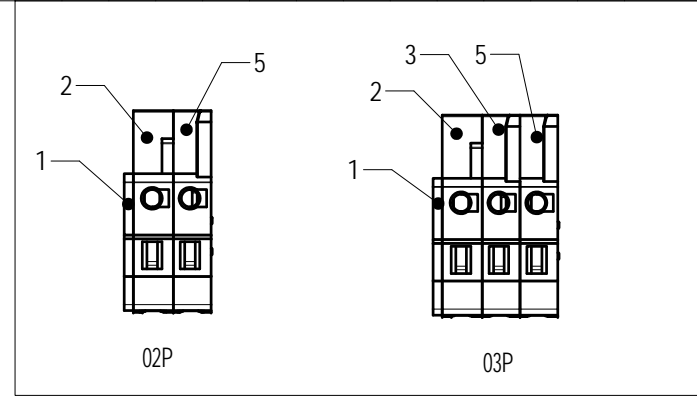


Transfer or duplication of this document as well as the utilization or communication of its content are prohibited unless authorized in writing. All rights reserved for patent, utility model or design registrations. 除专利等权利外，本文件的所有权、复制、印刷、分发等权利均保留。未经书面许可，不得复制或传播本文件内容。所有权利保留。



| 未注公差/General tolerances (mm) | | | | | | | | | | | | 0.1/10 ±2' | | |
|------------------------------|-------|-------|-------|-------|-------|-------|-------|-------|-------|-------|-------|---------------|-------|------|
| 0 | >3 | >6 | >10 | >18 | >30 | >50 | >80 | >120 | >180 | >250 | >315 | | >400 | >500 |
| ±0.12 | ±0.18 | ±0.22 | ±0.26 | ±0.31 | ±0.37 | ±0.57 | ±0.80 | ±0.93 | ±1.05 | ±1.15 | ±1.60 | ±2.20 | ±2.50 | |



Note: The A&Z(H) in the name means: A(H) and Z(H).

| ITEM | NAME OF PART | MATERIAL | NOTES |
|------|---------------|-----------------|-----------|
| 7 | Spring | Stainless Steel | / |
| 6 | Clamp | Copper | Sn plated |
| 5 | Side housing2 | PA66 | UL94V-0 |
| 4 | Mid housing2 | PA66 | UL94V-0 |
| 3 | Mid housing1 | PA66 | UL94V-0 |
| 2 | Side housing1 | PA66 | UL94V-0 |
| 1 | Cover | PA66 | UL94V-0 |

| UL 标准/UL Standard: | B | C | D |
|--|-----------------|-------|--------|
| 额定电压/电流/Rated Voltage(V)/Current(A) | 300/15 | / | 300/10 |
| IEC 标准/IEC Standard: | | | |
| 过压类别/Overvoltage Category/污染等级/Pollution Degree | III/3 | III/2 | II/2 |
| 额定电压/电流/Rated Voltage(V)/Current(A) | 320/20 | / | / |
| 额定脉冲电压(KV)/Rate Impulse Voltage(KV) | 4 | / | / |
| 线径范围(硬线和软线)/Wire Range(rigid and flexible)(AWG/mm ²) | 22~14 / 0.2~2.5 | | |
| 间距/Pitch(mm)/线数范围/Poles | 5.0/N=02~24P | | |
| 使用温度范围/Operating temperature(°C) | -40~+105 | | |
| 符合RoHS环保要求/Conform to RoHS | Yes | | |

| | | | | | |
|-----------------------|--|----------------------------|-----------------------------|-------|-------|
| DEGSON | | MATERIAL: | SURFACE/COLOR: PAYTONE 428C | | |
| APPD: 蓝贵凡 2022.12.20 | | MAT NO./REV: | / 00 MAT STATUS: 批量 | | |
| CHKD: 曹利彬 2022.12.20 | | NAME | | | |
| DRFT: 孙科豪 2022.12.20 | | 8EDGKC-5.0-XXP-1Y-01A&Z(H) | | | |
| DRAWING NO. 200120494 | | TYPE | DRAWING STATUS | SCALE | SHEET |
| A4 | | CUSTOMER DRAWING | 已发布 | 2:1 | 1/1 |

| REV | ECN | DESCRIPTION | DRFT | DATE |
|-----|-----|-------------|------|------|
| 00 | | | | |