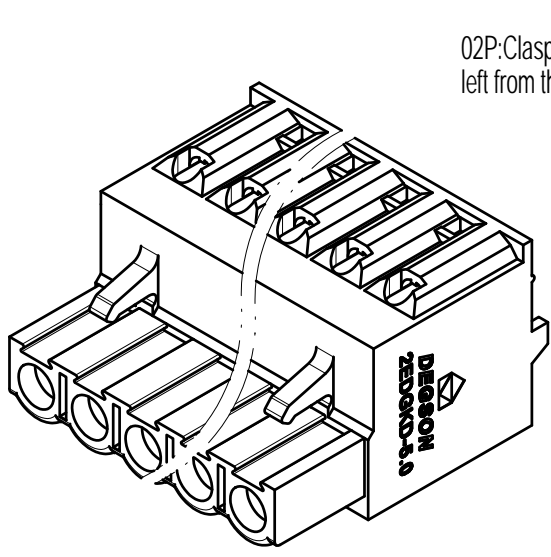
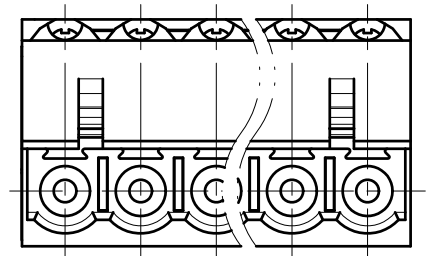
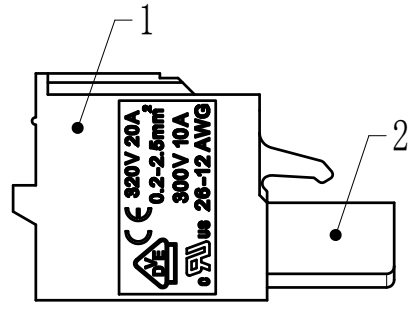
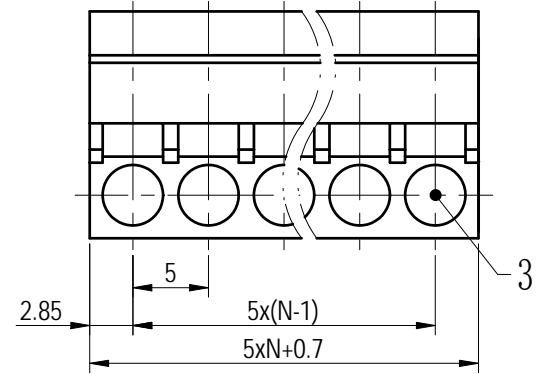
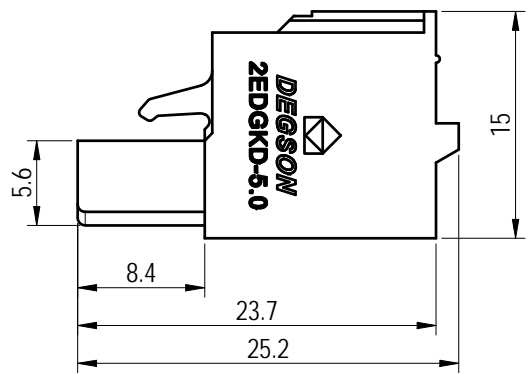
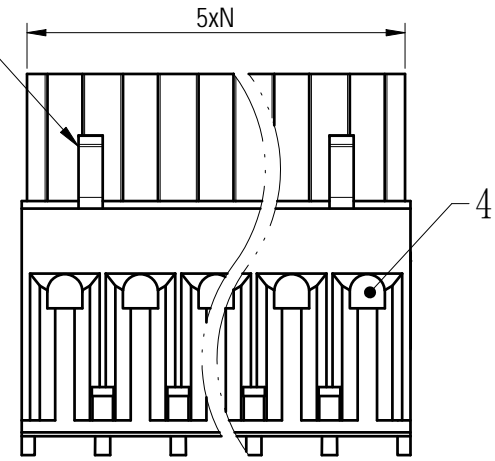


Transfer or duplication of this document as well as the utilization or communication of its content are prohibited unless authorized in writing by DEGSON. All rights reserved for patent. 未经授权复制或传播本文件内容，以及未经授权的复制或传播本文件内容，均属于侵权行为。 未经授权复制或传播本文件内容，均属于侵权行为。 未经授权复制或传播本文件内容，均属于侵权行为。



02P: Clasp on the left from this view



公差/General tolerances (mm)													0.1/10 ±2'
0	>3	>6	>10	>18	>30	>50	>80	>120	>180	>250	>315	>400	
±0.12	±0.18	±0.22	±0.26	±0.31	±0.37	±0.57	±0.80	±0.93	±1.05	±1.15	±1.60	±2.20	±2.50

UL 标准/UL Standard:	B	C	D
额定电压/电流/Rated Voltage(V)/Current(A)	300/10	/	300/10
IEC 标准/IEC Standard:			
过压类别/Ovenvoltage Category/污染等级/Pollution Degree	III/3	III/2	II/2
额定电压/电流/Rated Voltage(V)/Current(A)	/	320/20	/
额定脉冲电压(KV)/Rate Impulse Voltage(KV)	/	4.0	/
线径范围(硬线和软线)/Wire Range(rigid and flexible)(AWG/mm²)	26~12/ 0.2~2.5		
间距/Pitch(mm)/线数范围/Poles	5.0/N=02~24P		
剥线长度/Stripping length(mm)	9~10		
使用温度范围/Operating temperature(°C)	-40~+105		
符合RoHS环保要求/Conform to RoHS	Yes		

Note:
The A&Z(H) in the name means: A(H) and Z(H).

ITEM	NAME OF PART	MATERIAL	NOTES
4	Spring	Stainless Steel	/
3	Clamp	Copper alloy	Sn Plated
2	Cover	PA66	UL94V-0
1	Housing	PA66	UL94V-0

DEGSON		MATERIAL:	SURFACE/COLOR:	
APPD: 兰春华	2023.01.05	MAT NO./REV: - / 00	MAT STATUS: 批量	
CHKD: 陈招	2023.01.04	NAME		
DRFT: 朱岳鹏	2023.01.04	2EDGKDW-5.0-XXP-1Y-00A&Z(H)		
REV	ECN	DESCRIPTION	DRAWING NO.	TYPE
00			200020157	CUSTOMER DRAWING
DRFT	DATE		DRAWING STATUS	SCALE
朱岳鹏	2023.01.04		已发布	2:1
			SHEET	1/1

REV	ECN	DESCRIPTION	DRFT	DATE
00			朱岳鹏	2023.01.04