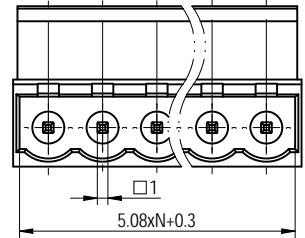
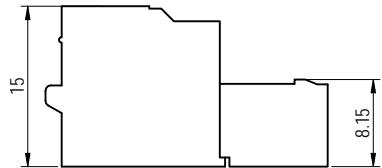
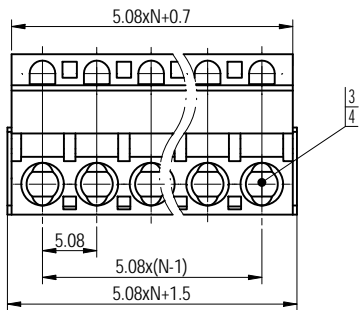
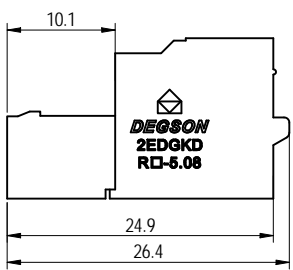
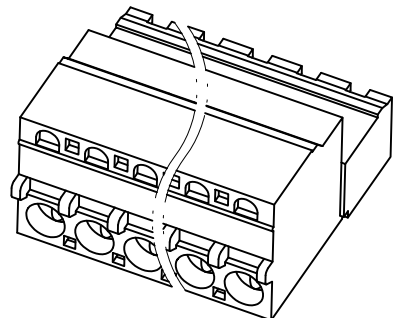
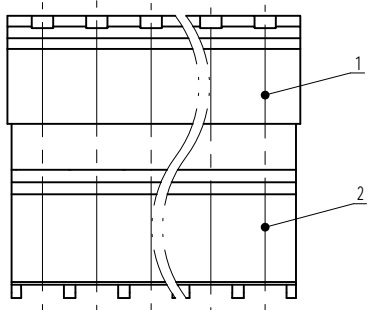


未注公差/General tolerances (mm)										0.1/10 ±2			
0	>3	>6	>10	>18	>30	>50	>80	>120	>180		>250	>315	>400
~3	~6	~10	~18	~30	~50	~80	~120	~180	~250	~315	~400	~500	~500
±0.12	±0.18	±0.22	±0.26	±0.31	±0.37	±0.57	±0.80	±0.93	±1.05	±1.15	±1.60	±2.20	±2.50
UL 标准/UL Standard:										B	C	D	
额定电压/电流/Rated Voltage(V)/Current(A)										300/10	/	300/10	
IEC 标准/IEC Standard:													
过压类别/Overvoltage Category/污染等级/Pollution Degree										III/3	III/2	II/2	
额定电压/电流/Rated Voltage(V)/Current(A)										/	320/20	/	
额定脉冲电压(KV)/Rate Impulse Voltage(KV)										/	4	/	
螺丝扭矩/Torque Tightening(N·m/Lb.in)													
线径范围(硬线和软线)/Wire Range(rigid and flexible)(AWG/mm ²)										26~12 / 0.2~2.5			
间距/Pitch(mm)/线数范围/Poles										5.08/N=02~18P			
剥线长度/Stripping length(mm)										10			
使用温度范围/Operating temperature(°C)										-40~+105			
符合RoHS环保要求/Conform to RoHS										Yes			
标准颜色编号/Standard color number: PANTONE / RAL													

4	Spring	Stainless steel	/
3	Clamp	Copper	Sn Plated
2	Housing	PA66	UL94V-0
1	Cover	PA66	UL94V-0
ITEM	NAME OF PART	MATERIAL	NOTES

Note:
The A&Z(H) in the name means: A(H) and Z(H).



		MATERIAL:		SURFACE/COLOR:	
APPD: 兰春华	2023.01.03	MAT NO./REV: / 00		MAT STATUS: 批量	
CHKD: 黄耀志	2022.12.26	NAME: 2EDGKDRW-5.08-XXP-1Y-00A&Z(H)			
DRFT: 刘强	2022.12.22	DRAWING NO. 200030544	TYPE CUSTOMER DRAWING	DRAWING STATUS 已发布	SCALE 2:1
REV	ECN	DESCRIPTION	DRFT	DATE	SHEET 1/1

00			刘强	2022.12.22
REV	ECN	DESCRIPTION	DRFT	DATE

Transfer or duplication of this document, as well as the utilization or reproduction of its contents without the written consent of DEGSON, is strictly prohibited. All rights reserved for patent.