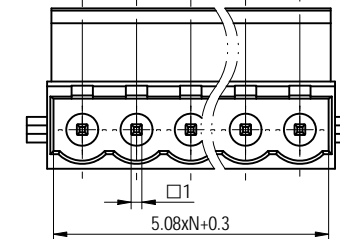
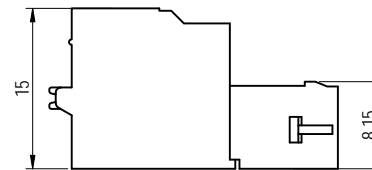
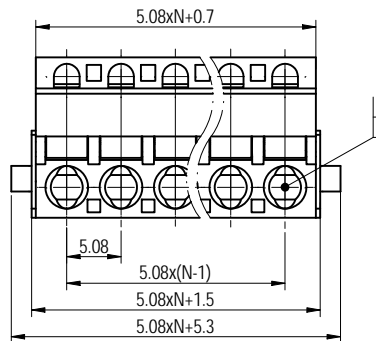
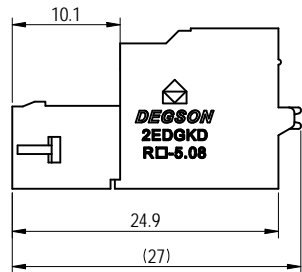
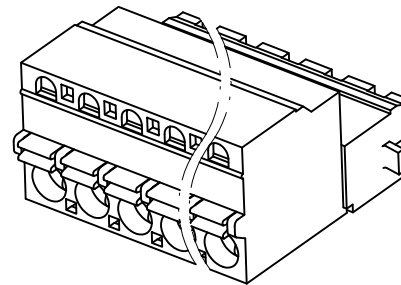
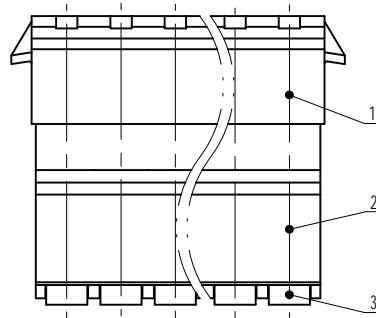


未注公差/General tolerances (mm)										0.1/10 ±2			
0	>3	>6	>10	>18	>30	>50	>80	>120	>180		>250	>315	>400
~	~	~	~	~	~	~	~	~	~	~	~	~	~
3	6	10	18	30	50	80	120	180	250	315	400	500	500
±0.12	±0.18	±0.22	±0.26	±0.31	±0.37	±0.57	±0.80	±0.93	±1.05	±1.15	±1.60	±2.20	±2.50
UL 标准/UL Standard:										B	C	D	
额定电压/电压/Rated Voltage (V)/Current (A)										300/10	/	300/10	
IEC 标准/IEC Standard:										III/3	III/2	II/2	
过压类别/Overvoltage Category/污染等级/Pollution Degree										III/3	III/2	II/2	
额定电压/电压/Rated Voltage (V)/Current (A)										/	320/20	/	
额定脉冲电压 (KV)/Rate Impulse Voltage (KV)										/	4	/	
螺丝扭矩/Torque Tightening (N·m/Lb.in)										/	/	/	
线径范围(硬线和软线)/Wire Range (rigid and flexible) (AWG/mm ²)										26~12 / 0.2~2.5			
间距/Pitch (mm)/线数范围/Poles										5.08/N=02~16P			
剥线长度/Stripping length (mm)										10			
使用温度范围/Operating temperature (°C)										-40~+105			
符合RoHS环保要求/Conform to RoHS										Yes			
标准颜色编号/Standard color number: PANTONE / RAL										/			

5	Spring	Stainless steel	/
4	Clamp	Copper	Sn Plated
3	Button	PA66	UL94V-0
2	Housing	PA66	UL94V-0
1	Cover	PA66	UL94V-0
ITEM	NAME OF PART	MATERIAL	NOTES

Note:
The A&Z(H) in the name means: A(H) and Z(H).



		MATERIAL:	SURFACE/COLOR:		
APPD: 兰春华	2023.01.03	MAT NO./REV:	/ 00	MAT STATUS: 批量	
CHKD: 黄耀志	2022.12.26	NAME: 2EDGKDRN-5.08-XXP-1Y-00A&Z(H)			
DRFT: 刘强	2022.12.22	DRAWING NO.	TYPE	DRAWING STATUS	SCALE
REV	ECN	DESCRIPTION	DRFT	DATE	SHEET
00			对强	2022.12.22	1/1
01			刘强	2022.12.22	2/1
A3		200030543	CUSTOMER DRAWING	已发布	1/1

Transfer or duplication of this document, as well as the utilization or reproduction of its contents without the written consent of DEGSON, is strictly prohibited. All rights reserved for patent.