

DPB Series

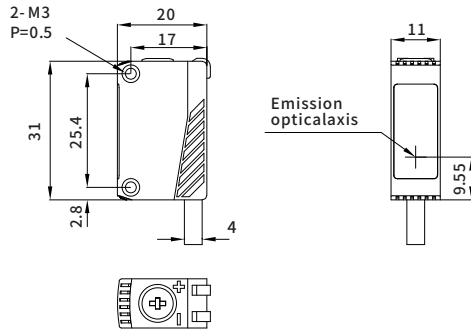


Model	
NPN	DPB-B30N-S
PNP	DPB-B30P-S
Basic Features	
Working principle	Photoelectric Sensors
Enclosure style	Square
How optics work	Diffuse reflection with background suppression
Detection distance	2~300mm (white matte paper)
Spot size	Ø8mm/300mm
Detection	/
Light source	Infrared LEDs 660nm (modulated)
Light	Working indicator green; Action indicator Red
Sensitivity regulation	6-turn potentiometer
Electrical Data	
Switch mode	Light.on (Light Action) / D.on (shading action) Switchable
Output mode	NPN or PNP open collector
Response time	≤1ms
Switching frequency	/
Repeatability	/
Hysteresis(Return/ Response)	/
Operating voltage	10~30V DC
Current consumption	≤20mA
Residual voltage	≤1.5V
Load current	≤100mA
Insulation resistance	20MΩ
Resistance	1000VAC (50/60Hz), 1 minute between power terminal and housing
Protection circuits	Reverse polarity protection/surge protection/shortcircuit protection/interference light protection
Environmental Conditions	
Operating ambient temperature	-10~70°C (no freezing)
Storage temperature	-25~80°C (no freezing)
Humidity of the working environment	35~85%RH (no condensation)
Store humidity	35~95%RH (no condensation)
Ambient illumination	Incandescent lamp ≤ 3000 Lux; Sunlight ≤ 10000 Lux
Anti vibration-	10~50Hz, 0.5mm amplitude, XYZ 3 directions for 2 hours each
Ingress protection	IP67
Mechanical Data	
Maximum tightening torque	/
Connection	2m/4 core cable 4mm diameter
Size	31*20*11mm
Material	PBT+glass fiber (shell); PMMA (Lens)
Weight	0.05kg
Fittings	Screwdriver

DPB Series

Dimensions

DPB-B30N/P-S



Unit: mm

Wiring Diagram

DPB-B30N/P-S

