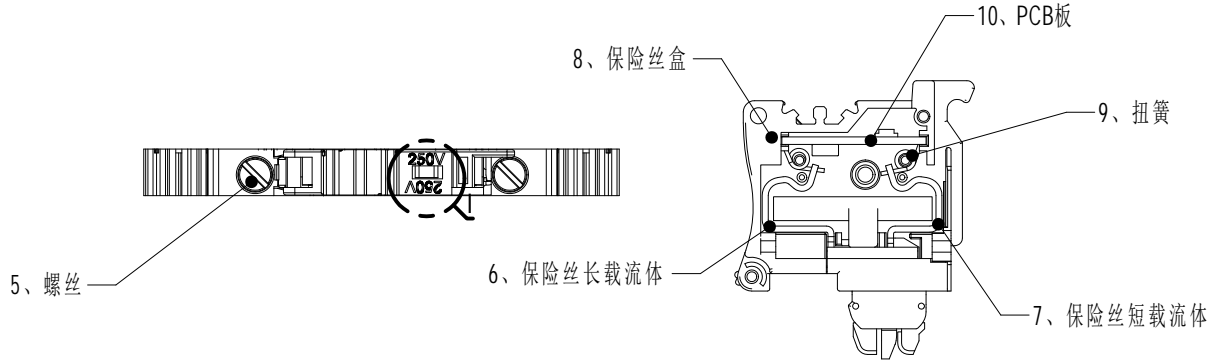


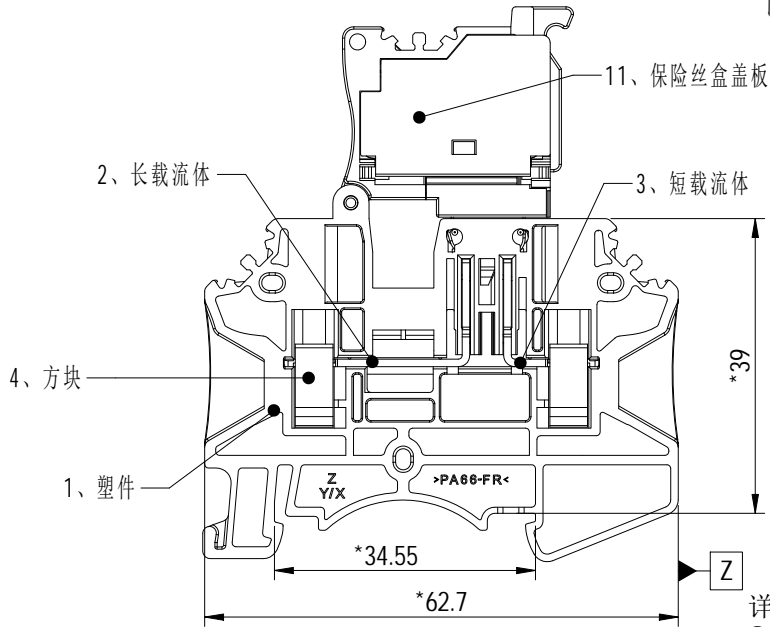
Transfer or duplication of this document as well as the utilization or communication of its contents are prohibited unless written authorization is provided. Violations will be liable for compensation. All rights reserved for patent, utility model or design registrations. 除专利号于明确标注外, 否则禁止转让、复制、引用、交流本文件的内容。 未经授权, 严禁复制或传播本文件内容。 未经授权, 严禁复制或传播本文件内容。

| 未注公差/General tolerances(mm) | | | | | | | | | | | | | | |
|-----------------------------|-------|-------|-------|-------|-------|-------|-------|-------|-------|-------|-------|-------|----------------|--|
| 0 | >3 | >6 | >10 | >18 | >30 | >50 | >80 | >120 | >180 | >250 | >315 | >400 | 0.05/10 ±1' | |
| ~3 | ~6 | ~10 | ~18 | ~30 | ~50 | ~80 | ~120 | ~180 | ~250 | ~315 | ~400 | ~500 | | |
| ±0.08 | ±0.12 | ±0.18 | ±0.22 | ±0.26 | ±0.31 | ±0.37 | ±0.57 | ±0.80 | ±0.93 | ±1.05 | ±1.15 | ±1.60 | ±2.20 | |

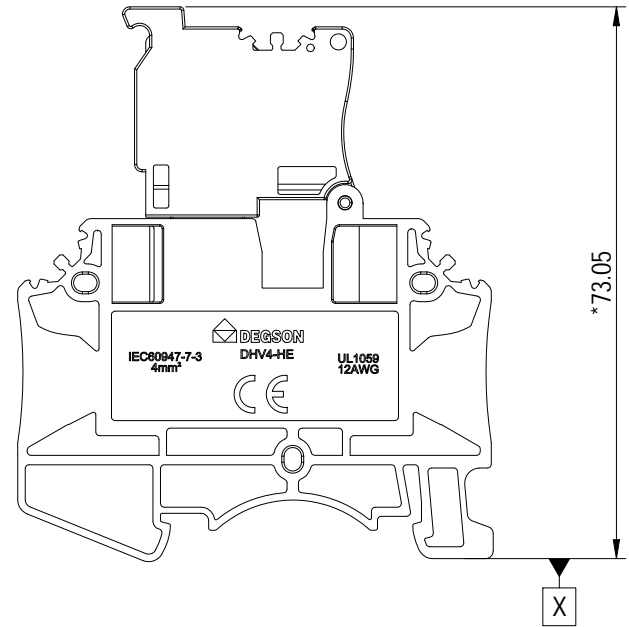
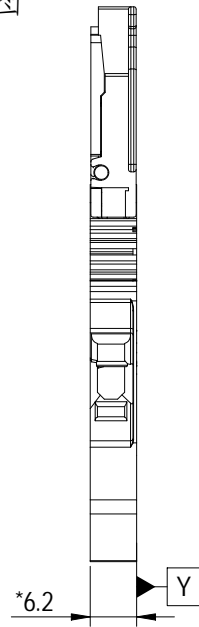


| | |
|---------------------------------------|---|
| UL 额定电压电流/Rated Voltage/Current | 250V/10A(B/C) |
| UL 工频耐压/R.M.S withstand voltage | AC1600V/1Min |
| IEC 额定电压电流/Rated Voltage/Current | 250V/6.3A(III/3) |
| 额定脉冲电压/Rate Impulse Voltage(KV) | 6 |
| 线径范围/Wire range(AWG/mm ²) | 26~12/0.14~4 最大裸线: 10AWG/6mm ² |
| 线数范围/Poles | 6.2/N=01P |
| 重点管符号/Key controlled symbol | * |
| 螺丝扭矩/Tightening torque(N·m/Lb.in) | M3,0.6~0.8/5.29~7.12 |
| 螺丝需松紧一次/Screw tightening once | 无卡死/No jammed |
| 使用温度范围/Operating temperature(°C) | -60~+105(最高短期工 作温度, 电气特性相对温 度。) |
| 剥线长度/Stripping length(mm) | 9~10 |

保险丝盒无盖板视图



详图1
2:1



- 1. 颜色: 白色
- 2. 字体: Arial
- 3. 字高: 1.5mm
- 4. 字宽比例: 1.0



| | | | | |
|-----------|------------|---------------------------------|------------------|----------------|
| | | MATERIAL: | SURFACE/COLOR: | |
| | | MAT NO./REV: 11090000041-1 / 00 | MAT STATUS: 设计放行 | |
| APPD: 彭敬 | 2024.07.12 | NAME | | |
| CHKD: 高卫国 | 2024.07.12 | DHV4-HE-LD250-01P-13-00Z (H) | | |
| DRFT: 黄仁锦 | 2024.07.12 | DRAWING NO. | TYPE | DRAWING STATUS |
| | | 200300967 | PRODUCT DRAWING | work |
| SCALE | SHEET | | | |
| 2:1 | 1/1 | | | |

| REV | ECN | DESCRIPTION | DRFT | DATE |
|-----|-----|-------------|------|------------|
| 00 | | 首版发行 | 黄仁锦 | 2024.07.12 |