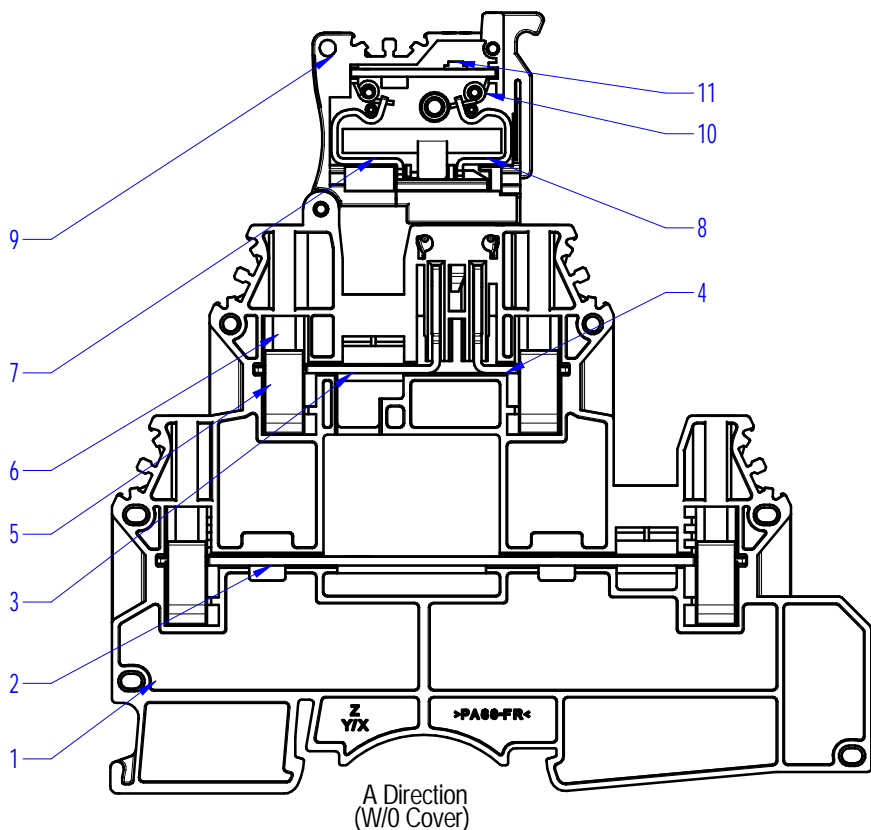
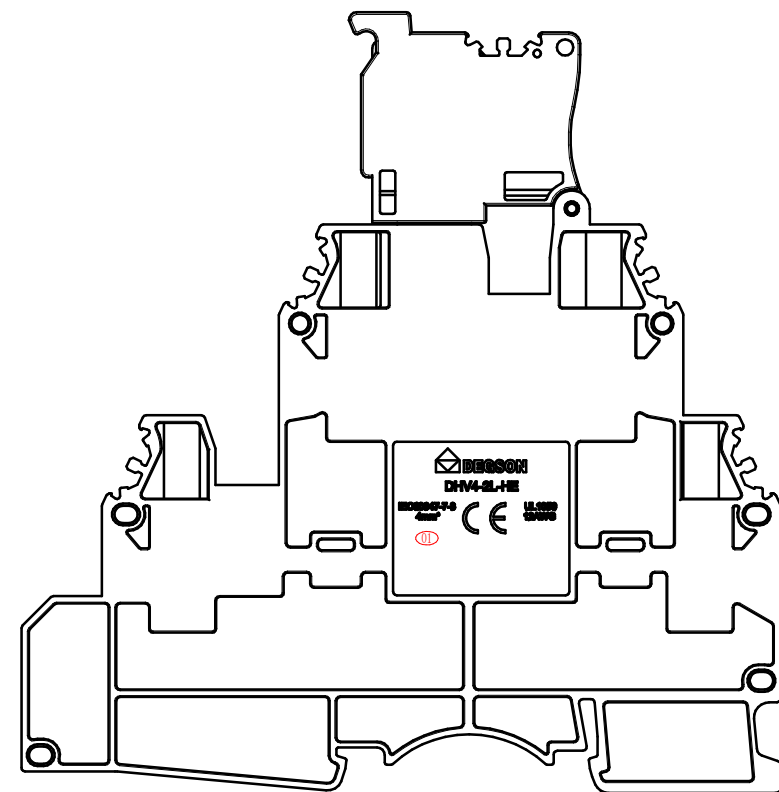
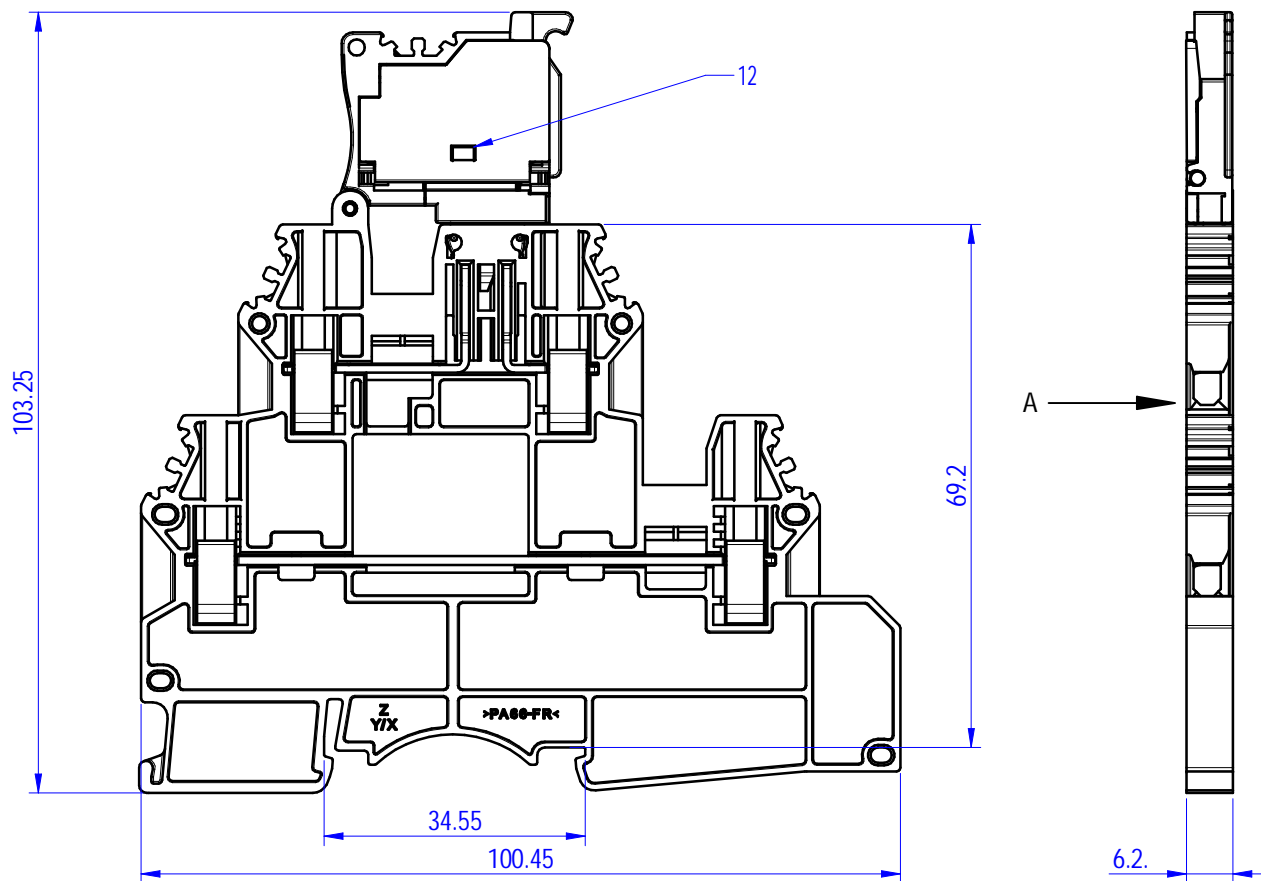


未注公差/General tolerances(mm)													0.1/10 ±2'
0	>3	>6	>10	>18	>30	>50	>80	>120	>180	>250	>315	>400	
~3	~6	~10	~18	~30	~50	~80	~120	~180	~250	~315	~400	~500	>500
±0.12	±0.18	±0.22	±0.26	±0.31	±0.37	±0.57	±0.80	±0.93	±1.05	±1.15	±1.60	±2.20	±2.50



ITEM	NAME OF PART	MATERIAL	NOTES
12	Cover	PA66	UL94V-0
11	24V PCB	/	/
10	Torsional spring	Bronze	/
9	Fuse Housing	PA66	UL94V-0
8	Current carrier 5	Copper alloy	Sn plated
7	Current carrier 4	Copper alloy	Sn plated
6	Screw	Copper alloy	Ni plated
5	Cage	Copper alloy	Ni plated
4	Current carrier 3	Copper alloy	Sn plated
3	Current carrier 2	Copper alloy	Sn plated
2	Current carrier 1	Copper alloy	Sn plated
1	Housing	PA66	UL94V-0

UL 标准/UL Standard:	B	C	D
额定电压/电流/Rated Voltage(V)/Current(A)	上层: 24/6.3 下层: 300/20	上层: 24/6.3 下层: 300/20	/
IEC 标准/IEC Standard:			
过压类别/Overvoltage Category/污染等级/Pollution Degree	III/3	III/2	II/2
额定电压/电流/Rated Voltage(V)/Current(A)	上层: 24/6.3 下层: 500/30	/	/
额定脉冲电压(KV)/Rate Impulse Voltage(KV)	6	/	/
螺丝扭矩/Torque Tightening(N·m/Lb.in)	M3, 0.5/4.43		
线径范围(硬线和软线)/Wire Range(rigid and flexible)(AWG/mm²)	26~12/0.14~4.0 最大裸线: 10AWG/6mm²		
间距/Pitch(mm)/线数范围/Poles	6.2/N=01P		
剥线长度/Stripping length(mm)	9~10		
使用温度范围/Operating temperature(°C)	-60~+105(最高短期工作温度, 电气特性相对温度。)		
符合RoHS环保要求/Conform to RoHS	Yes		
标准颜色编号/Standard color number: PANTONE / RAL	/		

		MATERIAL:	SURFACE/COLOR:	
APPD: Peng M	2023.10.16	MAT NO./REV: 11020000356-1 / 00.01	MAT STATUS: 批量	
CHKD: Gao WG	2023.10.16	NAME: DHV4-2L-HE-LD24-01P-13-00Z(H)		
DRFT: Chen KZ	2023.10.16	DRAWING NO. 200155963	TYPE: CUSTOMER DRAWING	DRAWING STATUS: 已发布
REV	ECN	DESCRIPTION	SCALE: 1:1	SHEET: 1/1

01	Remove VDE UL symbol	Chen KZ	2023.10.16		
REV	ECN	DESCRIPTION	DRFT	DATE	

Transfer or duplication of this document, as well as the utilization or communication of its contents are prohibited unless explicit authorization is granted. Violations will be liable for compensation. All rights reserved for patent. 复制或再行传播此文件, 以及其内容的利用或沟通, 均须经本公司明确书面授权。未经许可擅自复制或传播, 本公司保留追究法律责任的权利。所有权利保留。