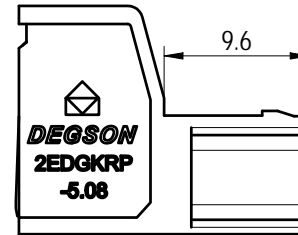
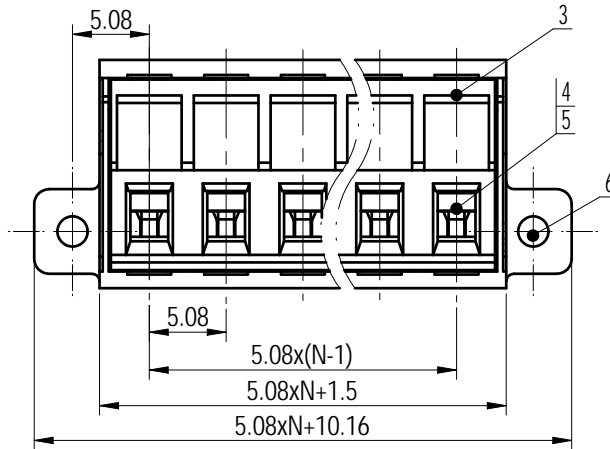
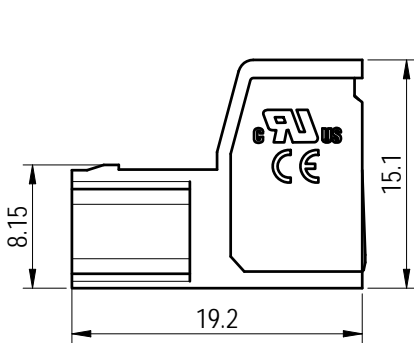
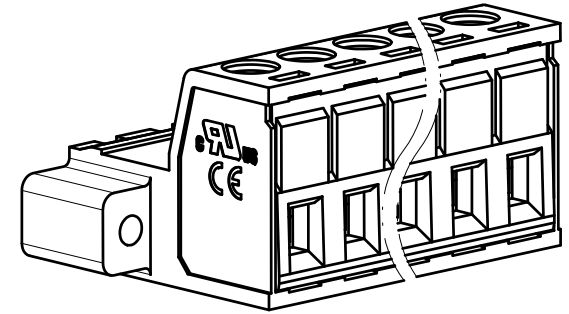
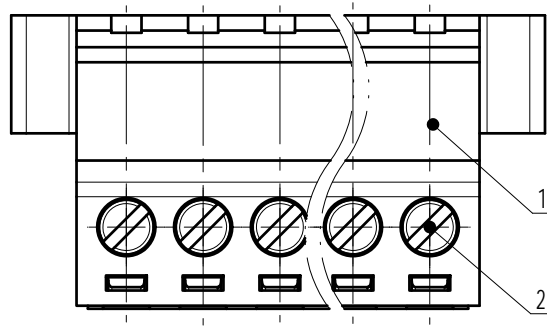


未注公差/General tolerances (mm)													0.1/10	
0	>3	>6	>10	>18	>30	>50	>80	>120	>180	>250	>315	>400		>500
~3	~6	~10	~18	~30	~50	~80	~120	~180	~250	~315	~400	~500	>500	
±0.12	±0.18	±0.22	±0.26	±0.31	±0.37	±0.57	±0.80	±0.93	±1.05	±1.15	±1.60	±2.20	±2.50	±2°



ITEM	NAME OF PART	MATERIAL	NOTES
6	Nut	Copper alloy	M2.5/Zn Plated
5	Pin	Copper	Sn Plated
4	Cage	Copper alloy	Ni Plated
3	Cover	PA66	UL94V-0
2	Screw	Steel	M2.5/Zn Plated
1	Housing	PA66	UL94V-0

UL 标准/UL Standard:	B	C	D
额定电压/电流/Rated Voltage(V)/Current(A)	300/15	/	300/10
IEC 标准/IEC Standard:			
过压类别/Overvoltage Category/污染等级/Pollution Degree	III/3	III/2	II/2
额定电压/电流/Rated Voltage(V)/Current(A)	/	320/20	/
额定脉冲电压(KV)/Rate Impulse Voltage(KV)	/	4	/
螺丝扭矩/Torque Tightening(N·m/Lb.in)	M2.5, 0.4/3.54		
线径范围(硬线和软线)/Wire Range(rigid and flexible)(AWG/mm²)	28~12 / 0.2~2.5		
间距/Pitch(mm)/线数范围/Poles	5.08/N=02~22P		
剥线长度/Stripping length(mm)	7~8		
使用温度范围/Operating temperature(°C)	-40~+105		
符合RoHS环保要求/Conform to RoHS	Yes		

		MATERIAL:	SURFACE/COLOR:		
APPD: 兰春华 2022.09.27		MAT NO./REV:	/ 00 MAT STATUS: 批量		
CHKD: 龚耀志 2022.09.26		NAME			
DRFT: 刘强 2022.09.26		2EDGKRP-5.08-XXP-1Y-00Z(H)			
DRAWING NO.	TYPE	DRAWING STATUS	SCALE	SHEET	
200030354	CUSTOMER DRAWING	已发布	2:1	1/1	

REV	ECN	DESCRIPTION	DRFT	DATE	④	⑤	A4	mm (inch)
00			刘强	2022.09.26				

Transfer or duplication of this document as well as the utilization or communication of its contents are prohibited unless explicit authorization is granted. Violations will be liable for compensation. All rights reserved for patent, utility model or design registrations. 除非得到明确授权, 否则禁止再出、复制、出租、分发本文档的任何内容。 未经授权复制或传播本文件, 侵权者将承担相关法律责任。 保留所有权利, 侵权必究。